

Jøtul F 105 R UKCA

UKCA information	2
UK - Installation and operating instructions	4



Jøtul F 105 B



Jøtul F 105 LL




Jøtul F 105 SL



Attention! Use this approval label when the stoves has been installed (only for UK). Cut off the bottom part and replace the label already attached with this one.
It is important that the lot + pin number is viewable.

Note: An approved CO monitor should be installed in the same room as the appliance.

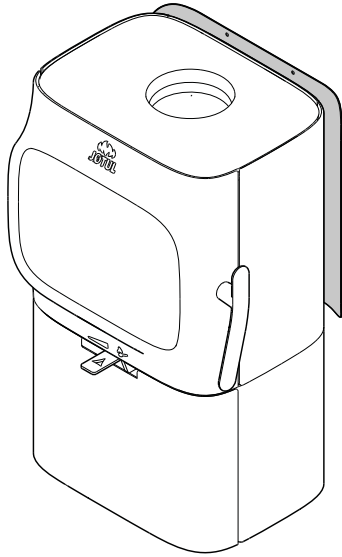
Product: Jøtul F 105R Series  F 105R B (Cast Iron Base) F 105R LL (Long Legs) F 105R SL (Short Legs) *			
Room heater fired by solid fuel DoP: F105-CPR-271022			
Standard : EN 13240 Minimum distance to adjacent combustible materials: SIDE 400 mm Minimum distance to adjacent combustible materials: REAR 385 mm Minimum distance to adjacent combustible materials: CORNER 430 mm Emission of CO in combustion products : 1101 mg/Nm ³ Emission of OGC in combustion products : 76 mg/Nm ³ Emission of NOx in combustion products : 99 mg/Nm ³ Emission of PM in combustion products : 7 mg/Nm ³ Flue gas temperature : 231 °C Nominal heat output : 4,5 kW Efficiency : 83% Fuel type : Wood Operation type : Intermittent			
The appliance should not be installed in a shared flue * ONLY FOR NON COMBUSTIBLE FLOORS			
Country	Classification	Standard	Approved by
EUR	Intermittent	EN 13240	Danish Technological Institute
UK	Intermittent	BS EN 13240	KIWA
Follow user's instructions. Use only recommended fuels.			

10083342-P00

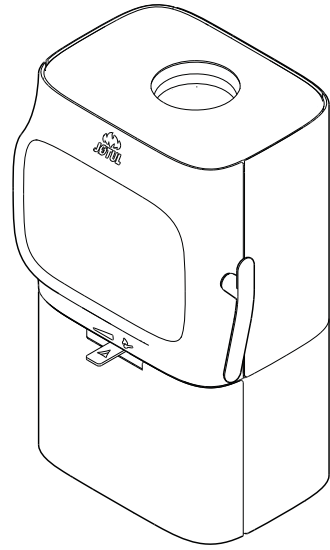
----- ✂

Cut off this part and replace the label already attached with this one
--

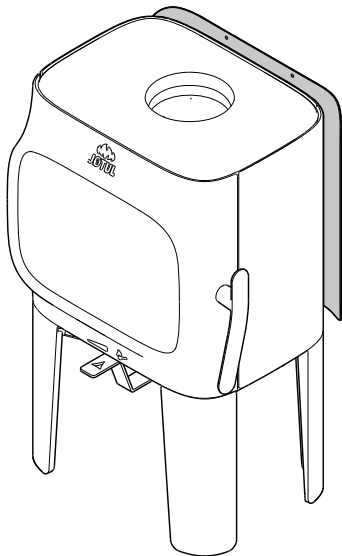
Jøtul F 105 B
(Base)



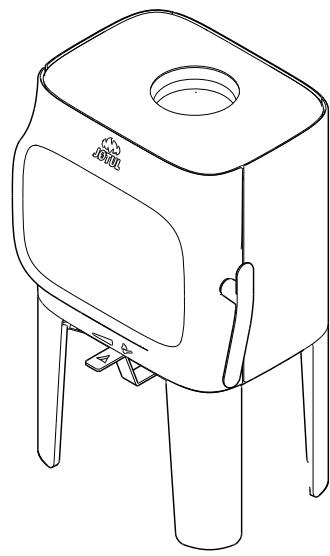
Jøtul F 105 R B
(Base)



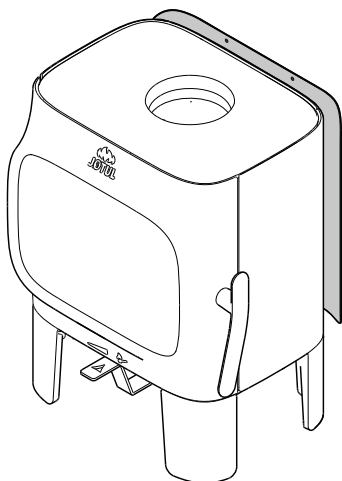
Jøtul F 105 LL
(Long legs)



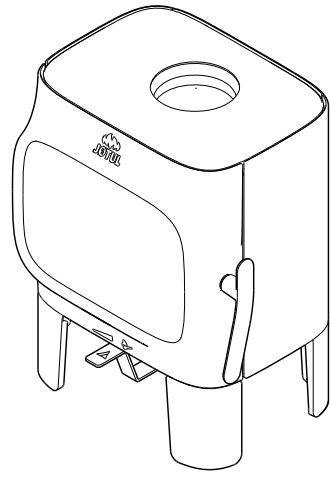
Jøtul F 105 R LL
(Long legs)



Jøtul F 105 SL
(Short legs)



Jøtul F 105 R SL
(Short legs)





ENGLISH

Table of contents

1.0	Technical data	4
2.0	Relationship to the authorities	4
3.0	Safety	5
4.0	Installation	13
5.0	Daily Use	22
6.0	Maintenance	23
7.0	Servicing	23
8.0	Optional Extras	26
9.0	Recycling	26
10.0	Warranty	26

Register your fireplace at jotul.com for a 25-year warranty

Product: Jøtul Room heater fired by solid fuel			
			
Standard Minimum distance to adjacent combustible materials: Minimum distance to adjacent combustible materials: Emission of CO in combustion products: Flue gas temperature: Nominal heat output: Efficiency: Operation range: Fuel type: Operational type: The appliance can be used in a shared flue.			
Country	Classification	Certificate/standard	Approved by
Norway	Klasse II		
Sweden	osc	SP	SP Sveriges Provnings- och Forskningsinstitut AB
EUR	Intermittent	EN	SP Swedish National Testing and Research Institute
Follow user's instructions. Use only recommended fuels. Montage- und Bedienungsanleitung beachten. Verwenden Sie nur empfohlenen Brennstoffen. Respecter les consignes d'utilisation. Utilisez uniquement les combustibles recommandés.			
Lot no: Y-xxxx, Year: 200x			
Manufacturer: Jøtul AS PCB 1441 N-1602 Fredrikstad Norway		221546 	

On all our products there is a label indicating the serial number and year. Write this number in the place indicated in the installation instructions.

Always quote this serial number when contacting your retailer or Jøtul.

Lot no. Pin.

1.0 Relationship to the authorities

- Installation of a fireplace must be carried out in compliance with national laws and regulations. All local ordinances, including those that refer to national and European standards, must be complied with when products are installed.
- The installation can only be put into use after it has been checked by a qualified inspector.
- Contact your local building authorities before installing a new fireplace.

2.0 Technical data

Material:	Cast iron
Finish:	Paint / enamel
Fuel:	Wood
Log length, max:	33 cm
Smoke outlet:	Top, rear
Flue pipe dimension:	Ø 125 mm
Outside air connection:	Ø 80 mm

Product weight:

Burnchamber with short legs:	94 kg
Burnchamber with long legs:	97 kg
Burnchamber with base:	107 kg
Soapstone top:	14,5 kg
Optional extras	Ash lip, kit for outside air connection, soapstone top, ash lip for Jøtul F 105 with legs, handle for ash pan, convection plate

Product dimensions, distances: See **Fig. 1**

Technical data in acc. with EN 13240

Nominal heat output:	4,5 kW
Flue gas volume:	4,2 g/s
Chimney draught, EN 13240:	12 Pa
Recommended negative pressure in smoke outlet:	14-16 Pa
Efficiency:	83% @ 5,2 kW
CO emissions (13% O ₂):	0,09%
CO emissions (13% O ₂):	1101 mg / Nm ³
NOx at 13% O ₂ :	99 mg / Nm ³
OGC @ 13 % O ₂ :	76 mg/Nm ³
Particle emission NS 3059:	2,7 g / kg
Air consumption:	3,4 litre/sec or 12,2 m ³ /h
Chimney temperature, EN 13240:	231 °C
Temperature in smoke outlet:	277 °C
Dust:	<7 mg/Nm ³ @ 13% O ₂

Type of fuel:	Wood
Max. log length:	33 cm
Fuel consumption:	1,51 kg/h
Max. kindling amount:	2,0 kg
Nominal kindling amount:	1,1 kg
Operation:	Intermittent

Intermittent combustion here means normal use of a fireplace, i.e. add more fuel as soon as the fire has burned down to embers.

3.0 Safety

NB! To guarantee optimal performance and safety, Jøtul recommends that its stoves are fitted by a qualified installer (see www.jotul.com for a complete list of dealers).

Any modifications to the product by the distributor, installer or consumer may result in the product and safety features not functioning as intended. The same applies to the installation of accessories or optional extras not supplied by Jøtul. This may also be the case if parts that are essential to the functioning and safety of the fireplace have been disassembled or removed.

In all these cases, the manufacturer is not responsible or liable for the product and the right to make a complaint becomes null and void.

NB: Parts of the stove, in particular, the external surfaces, get hot during combustion! Exercise caution!

Caution! Do not store wood underneath the product with legs.

The Clean Air Act

“The Clean Air Act 1993 and Smoke Control Areas”

Under the Clean Air Act local authorities may declare the whole or part of the district of the authority to be a smoke control area. It is an offence to emit smoke from a chimney of a building, from a furnace or from any fixed boiler if located in a designated smoke control area. It is also an offence to acquire an “unauthorised fuel” for use within a smoke control area unless it is used in an “exempt” appliance (“exempted” from the controls which generally apply in the smoke control area).

In England appliances are exempted by publication on a list by the Secretary of State in accordance with changes made to sections 20 and 21 of the Clean Air Act 1993 by section 15 of the Deregulation Act 2015. Similarly in Scotland appliances are exempted by publication on a list by Scottish Ministers under section 50 of the Regulatory Reform (Scotland) Act 2014.

In Northern Ireland appliances are exempted by publication on a list by the Department of Agriculture, Environment and Rural Affairs under Section 16 of the Environmental Better regulation Act (Northern Ireland) 2016.

In Wales appliances are exempted by regulations made by Welsh Ministers.

Further information on the requirements of the Clean Air Act can be found here: <https://www.gov.uk/smoke-control-area-rules>

Your local authority is responsible for implementing the Clean Air Act 1993 including designation and supervision of smoke control areas and you can contact them for details of Clean Air Act requirements.

The Jøtul F 105 B., Jøtul F 105 LL, Jøtul F 105 SL, Jøtul F 105 R B, Jøtul F 105 R LL and Jøtul F 105 R SL have been recommended as suitable for use in smoke control areas when burning wood logs.

3.1 Fire Prevention Measures

There is a certain element of danger every time you use your fireplace. The following instructions must therefore be followed:

- The minimum safety distances when installing and using the fireplace are given in **fig. 1**. The specified distance to flammable materials, applies to this stove.
- The stove must be installed with a CE approved flue. The distance of the flue pipe to combustible materials must also be observed.
- Ensure that furniture and other flammable materials are not too close to the fireplace. Flammable materials should not be placed within 900 mm of the fireplace.
- Allow the fire to burn out. Never extinguish the flames with water.
- The fireplace becomes hot when lit and may cause burns if touched.
- Only remove ash when the fireplace is cold. Ash can contain hot embers and should therefore be placed in a non-flammable container.
- Ash should be placed outdoors or be emptied in a place where it will not present a potential fire hazard.

In case of chimney fire:

- Close all hatches and vents.
- Keep the firebox door closed.
- Check the loft and cellar for smoke.
- Call the fire service.
- Before use after a fire an expert must check the fireplace and the chimney in order to ensure that it is fully functional.

Steel chimney

If a top-mounted steel chimney is used, fit an uninsulated pipe from the burn chamber to approx. 10 mm over the top grate. Make sure that the gasket is properly seated between the flue pipe and the smoke outlet. Then fit the steel chimney in accordance with the chimney supplier’s installation instructions.

3.2 Floor

Foundation

You need to make sure the foundation is suitable for a fireplace. See “**2.0 Technical Data**” for specified weight.

We recommend the removal of any flooring that is not attached to the foundation (“floating floors”) beneath the installation.

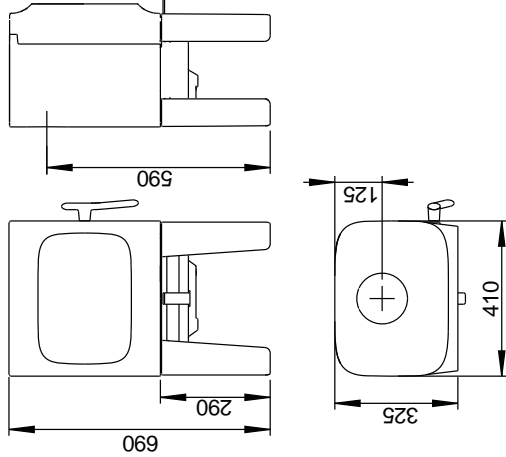
Jøtul F 105 SL (with short legs)

Jøtul F 105 SL can only be installed on a hearth which must have an extension of minimum 500 mm in front of the stove. This applies also if the product rests on a floor plate. If an ash lip is installed the the hearth must have an extension of 225 mm in front of the stove. For further information please see Approved Document J2010 Section 2.22.

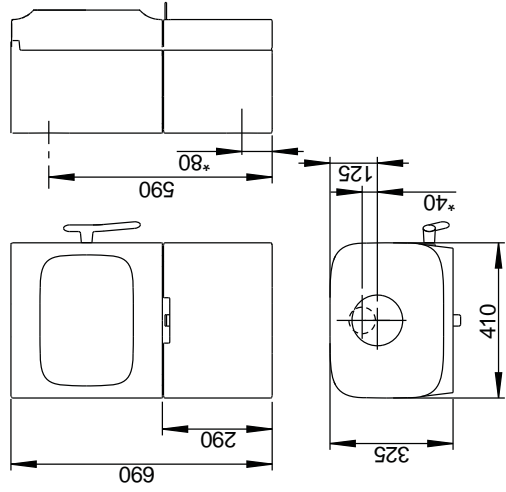
Jøtul F 105 R

Fig. 1 a

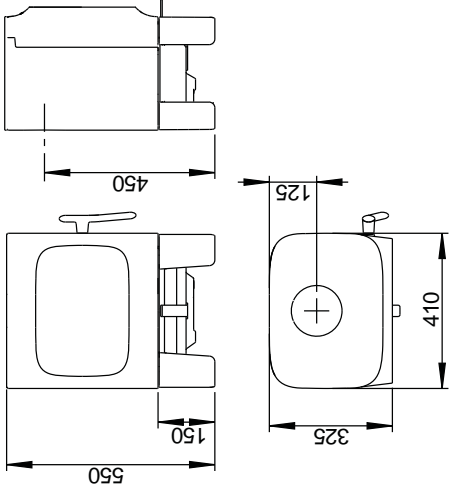
Jøtul F 105 R with long legs



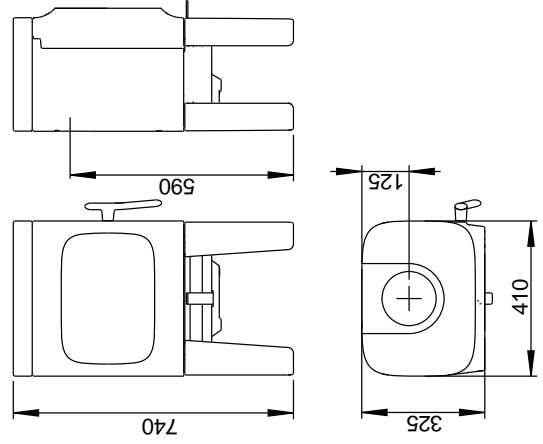
Jøtul F 105 R with base



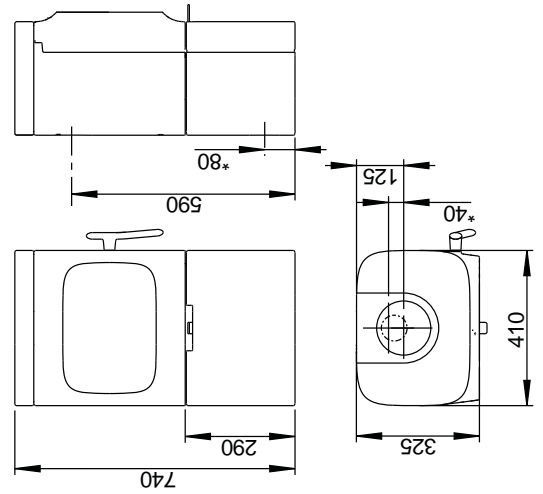
Jøtul F 105 R with short legs



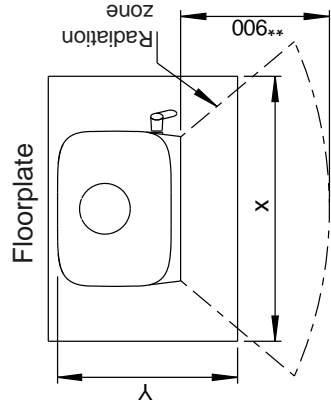
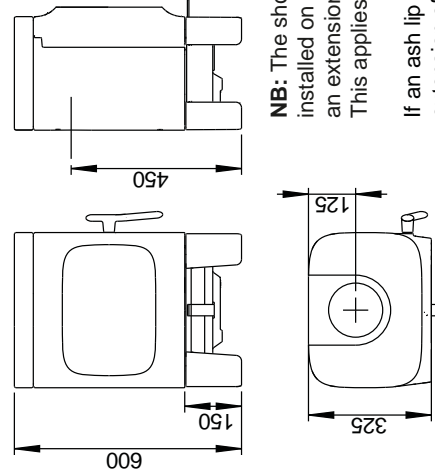
Jøtul F 105 R long legs and soapstone top



Jøtul F 105 R with base and soapstone top



Jøtul F 105 R with short legs and soapstone top



Min. measurements floorplate

X / Y = According to national laws and regulations

** Min. distance to furniture / combustible material

NB: The short legged version (F 105 R SL) can only be installed on a hearth which must have an extension of minimum 500 mm in front of the stove. This applies also if the product rests on a floor plate.

If an ash lip is installed the the hearth must have an extension of 225 mm in front of the stove.

For further information please see Approved Document J2010 Section 2.22.

* Outside air connection

900200-P02

Jøtul F 105 R Min. distance to combustible wall

Combustible wall

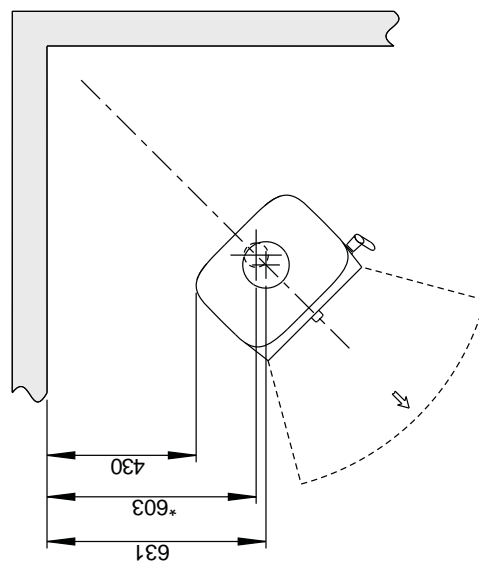
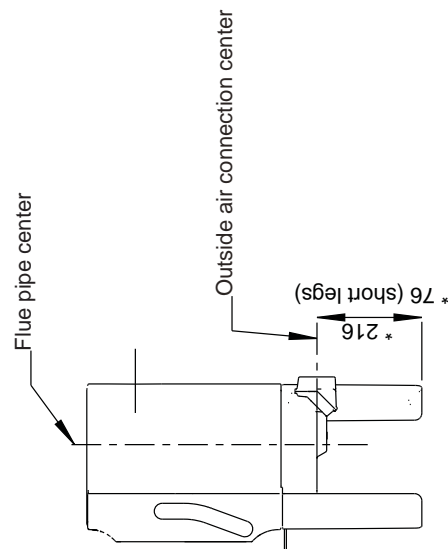
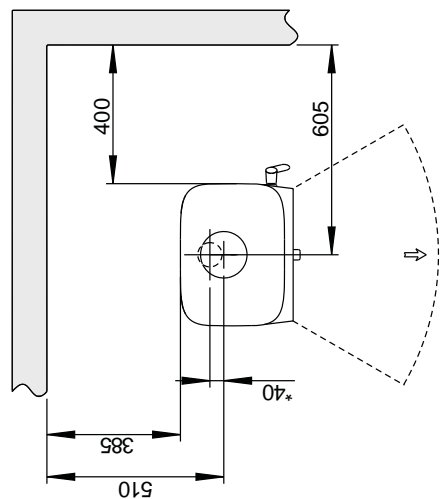
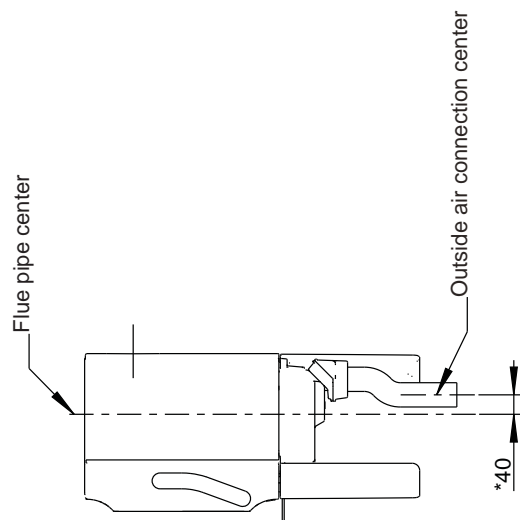



Fig. 1 b

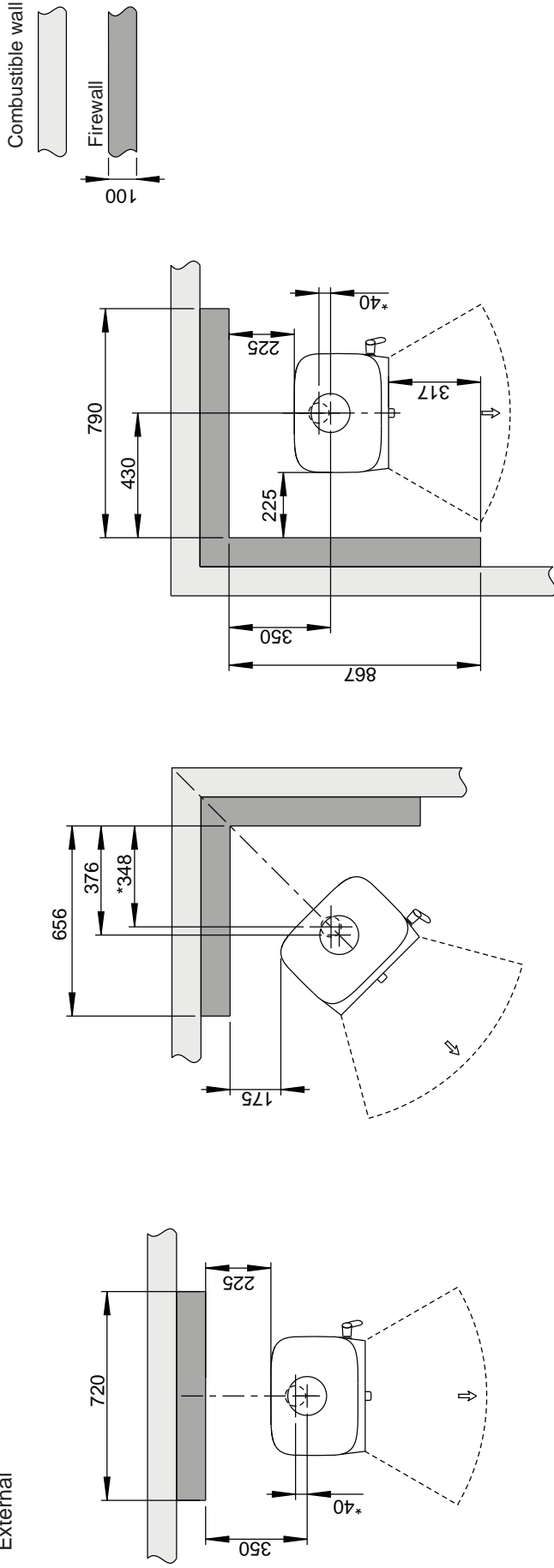
* Outside air connection

*** Distance to combustible wall with semi-insulated / shielded flue pipe (min.30 mm insulation)

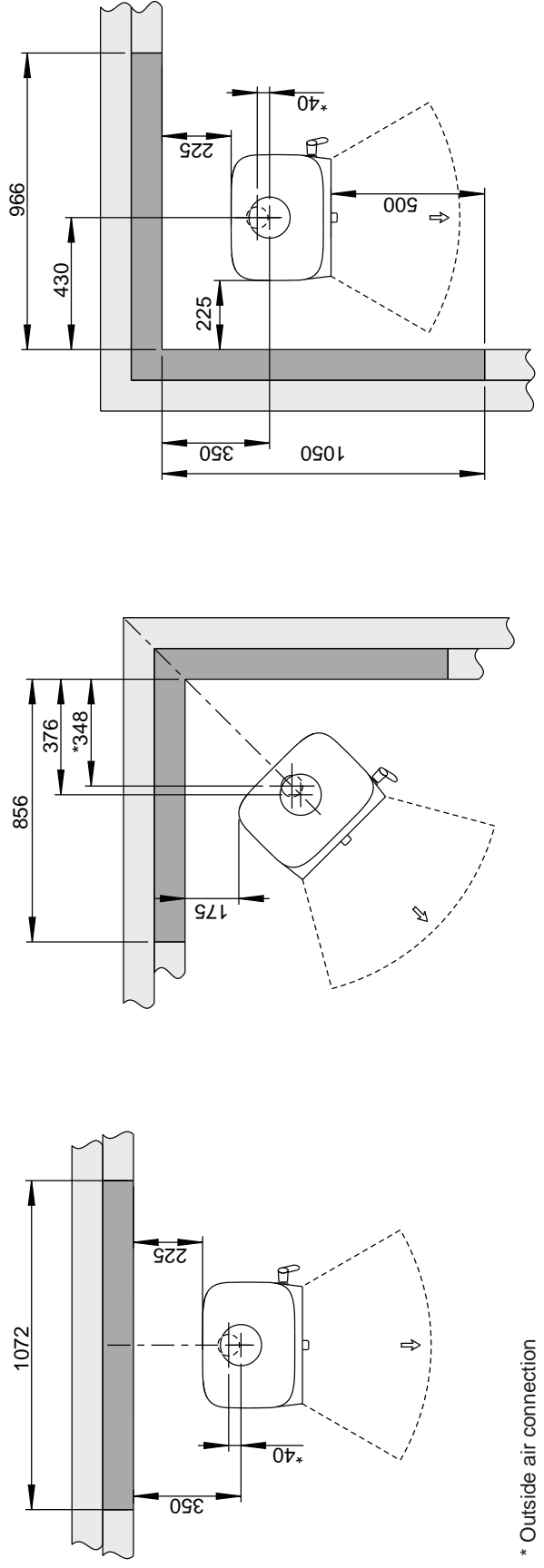
Jøtul F 105 R Min. distance to combustible wall protected by firewall

Fig. 1 c

External



Integrated

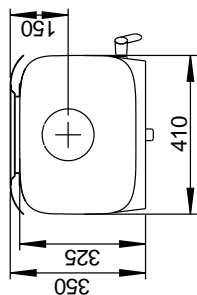
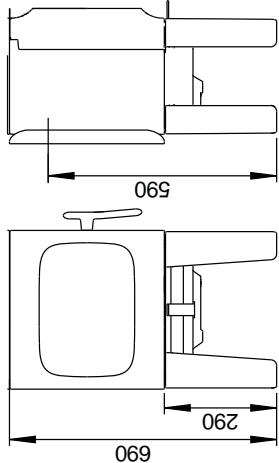


* Outside air connection

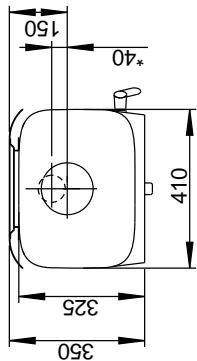
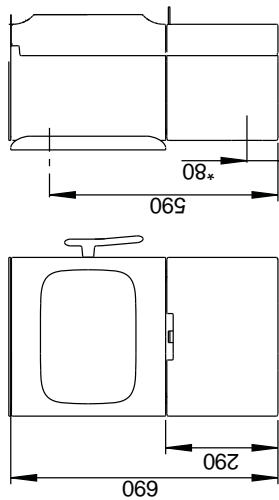
Jøtul F 105

Fig. 1 d

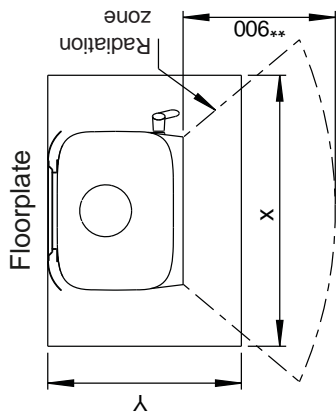
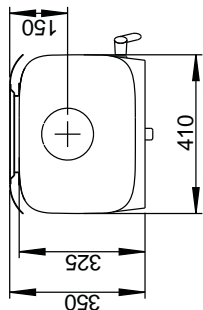
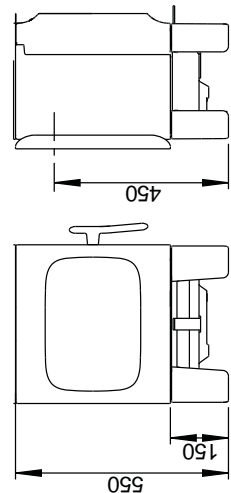
Jøtul F 105 with long legs



Jøtul F 105 with base



Jøtul F 105 with short legs

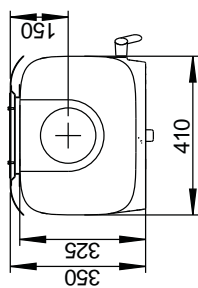
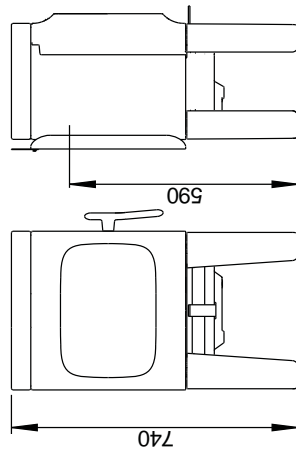


Min. measurements floorplate

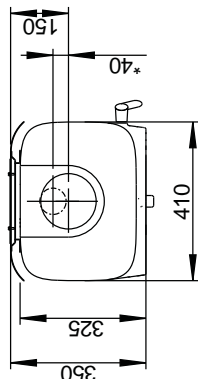
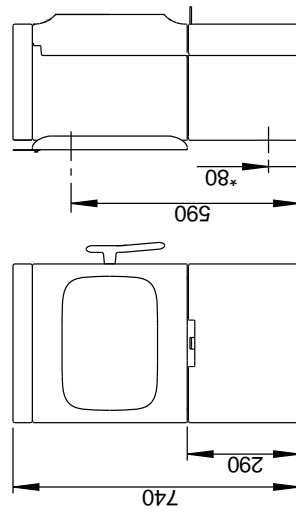
X / Y = According to national laws and regulations

** Min. distance to furniture / combustible material

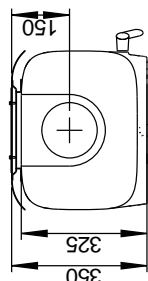
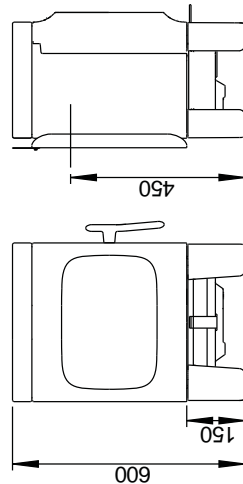
Jøtul F 105 long legs and soapstone top



Jøtul F 105 with base and soapstone top



Jøtul F 105 with short legs and soapstone top



NB: The short legged version (F 105 SL) can only be installed on a hearth which must have an extension of minimum 500 mm in front of the stove. This applies also if the product rests on a floor plate.

If an ash lip is installed the the hearth must have an extension of 225 mm in front of the stove.

For further information please see Approved Document J2010 Section 2.22.

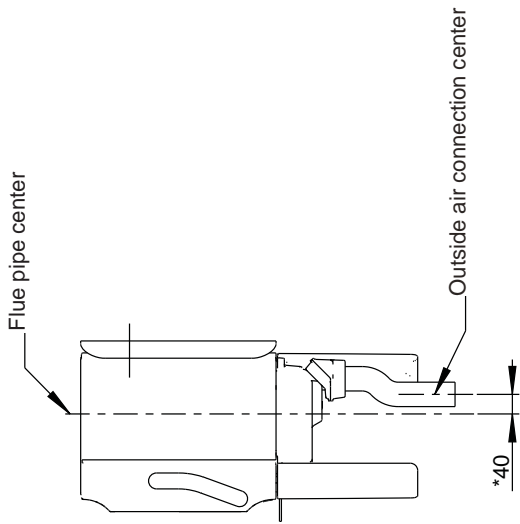
* Outside air connection

900181-F03

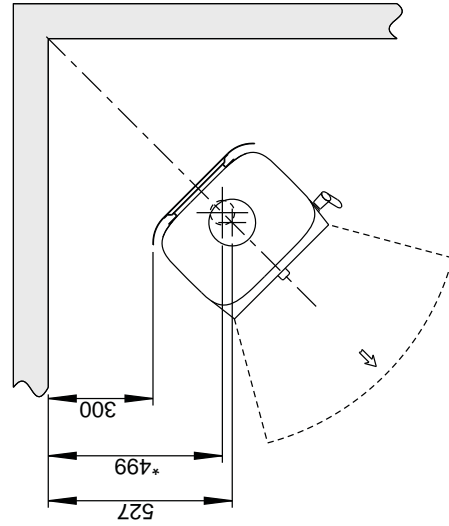
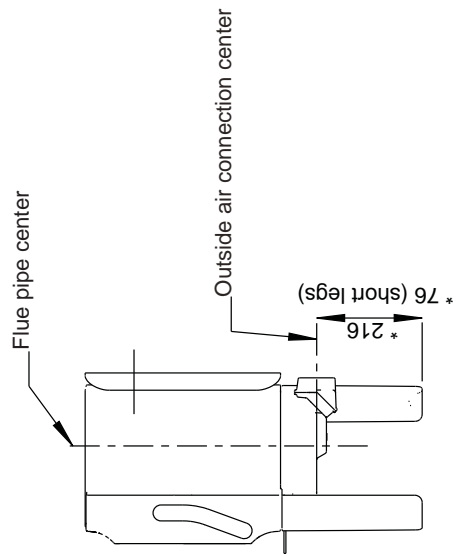
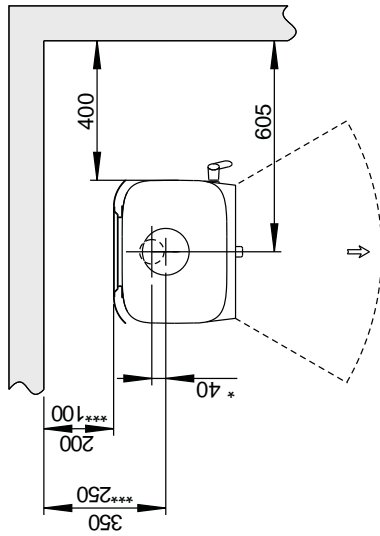
Jøtul F 105 Min. distance to combustible wall

Fig. 1 e

Combustible wall



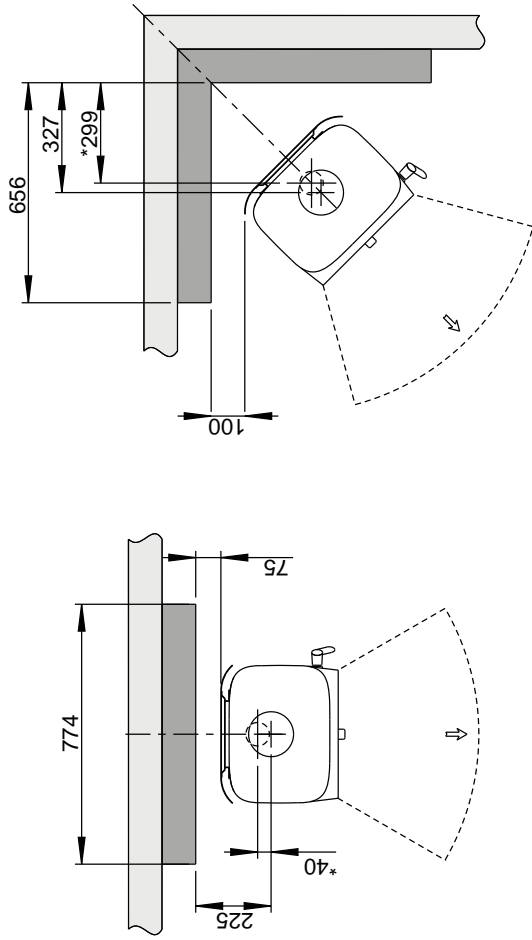
Med standard konveksjonsplate



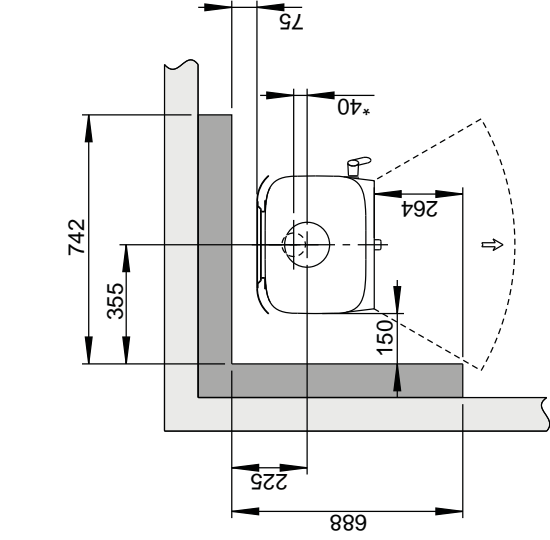
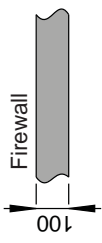
* Outside air connection
 *** Distance to combustible wall with semi-insulated / shielded flue pipe (min.30 mm insulation)

Jøtul F 105 Min. distance to combustible wall protected by firewall

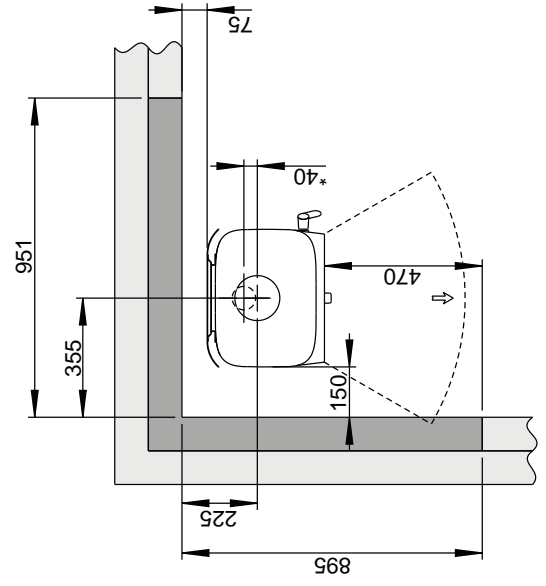
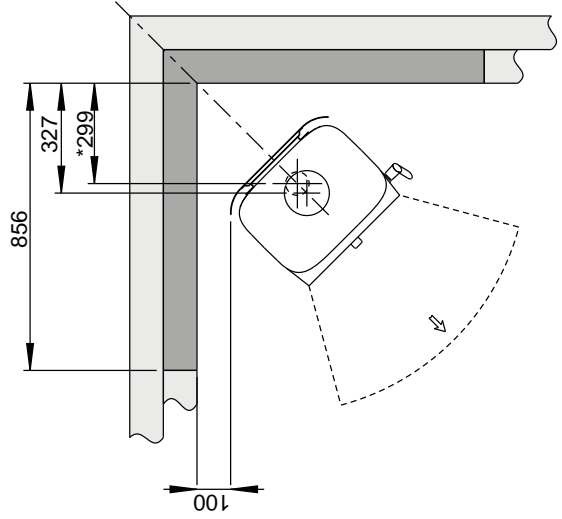
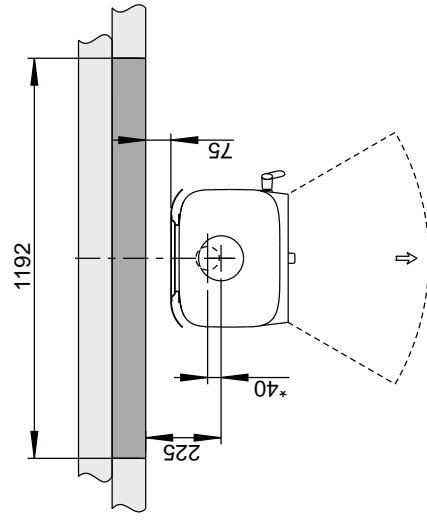
External



Combustible wall



Integrated



* Outside air connection

ENGLISH

Requirements for protection of wooden flooring beneath the fireplace

The function of a floor plate is to protect the floor and flammable materials against embers.

Jøtul F 105 with legs must have a floorplate below and in front according to national standards and regulations.

Important! The space under the burnchamber of Jøtul F 105 with legs cannot be used for storage.

Jøtul recommends that any flooring made of combustible material, such as linoleum, carpets, etc. should be removed from under the floor plate.

Requirements for protection of inflammable floors in front of the fireplace

The front plate must comply with national laws and regulations. Contact your local building authorities regarding restrictions and installation requirements.

3.3 Walls

Distance to walls made of combustible material - see fig. 1

Distance to combustible wall protected by firewall: See fig. 1.

The fireplace may be used with an uninsulated flue pipe provided the distances between the fireplace and walls made of combustible materials are as shown in **fig. 1**. Alternative distances with shielded or insulated flue pipe are also displayed in fig. 1.

NB: Place the product in such a way that it is possible to clean the stove, the flue pipe and the chimney passage.

Note! Ensure that furniture and other flammable materials are not too close to the fireplace. Flammable materials should not be placed within 900 mm of the fireplace.

NB: Make sure that furniture and other household items are not so close as to get dried up by the stove.

Fresh air supply

The air used for combustion in any well-insulated house needs to be replaced. This is particularly important in houses with mechanical ventilation. Such replacement air can be procured in several ways. The most important thing is to supply the air to the room where the stove is placed. Place the outside wall valve as close to the stove as possible and make sure that it can be closed when the stove is not in use.

For the fresh air supply connection, follow the national and local building regulations.

Closed combustion system

Use the stove's closed combustion system if you live in recently built, airtight dwellings. Connect the external combustion air through a ventilation pipe through the wall or the floor.

Air supply

The amount of combustion air for Jøtul's products is approximately 20-40 m³/h. The outside air connection may be fitted directly to the Jøtul F 105 through:

- the bottom
- through a flexible supply hose from the outside/chimney (only if the chimney has its own duct for external air) and to the product's outside air connector.

Fig. 2A, through an outside wall

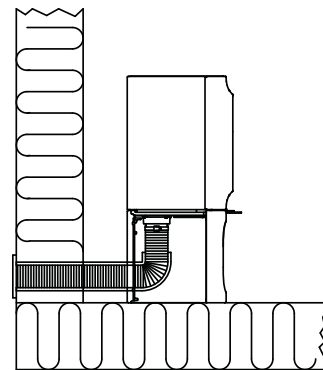


Fig. 2B, through the floor and ground plate

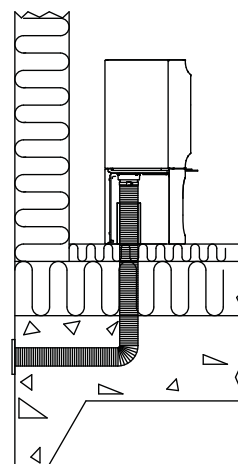


Fig. 2C, through the floor and basement

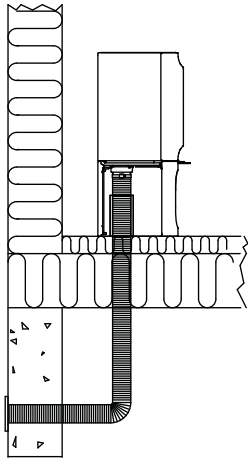
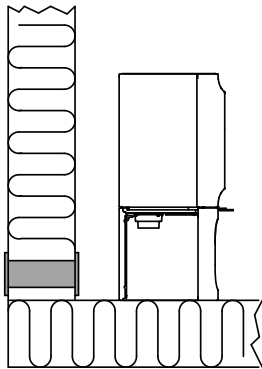


Fig. 2D, indirectly through an outside wall



4.0 Installation

NB: Check that the fireplace is undamaged before installation begins.

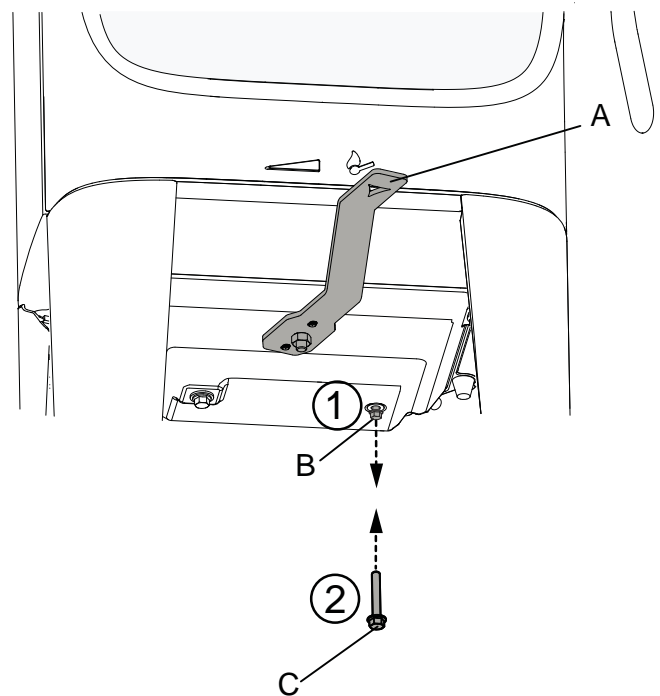
NB: The product is heavy! Ensure you have help when positioning and installing it. Make sure the product does not topple over.

NB: Do not place anything on the top plate of the stove as this could cause permanent damage to the paint.

NB: Read the Installation and Operating instructions carefully before installing the fireplace!

Requirement for UK

Fig. 3

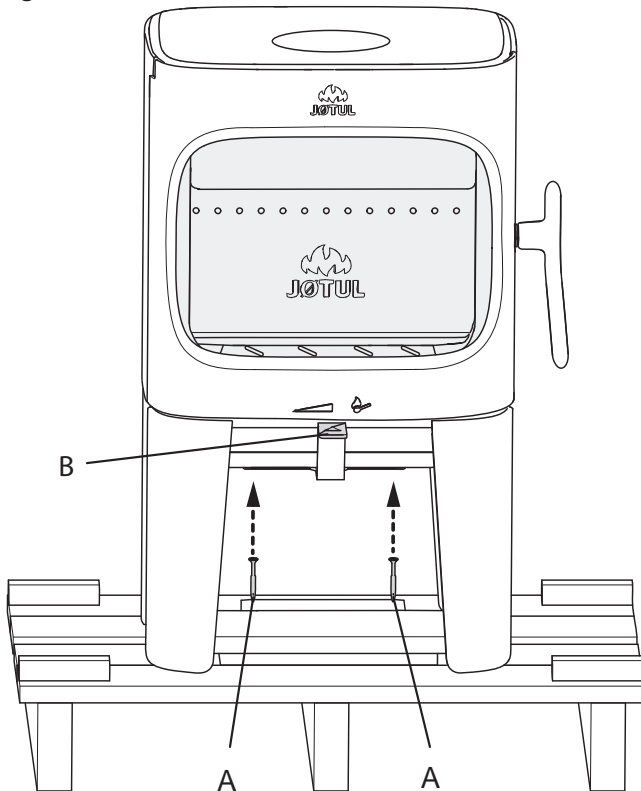


1. Push the air vent (A) to the right.
2. Unscrew the screw (B).
3. Fasten the 40 mm screw (C) from the bag of screws.

ENGLISH

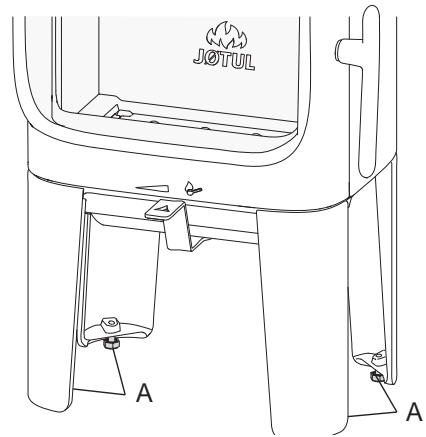
4.1 Prior to installation - Jøtul F 105 with long legs

Fig. 4



4. Remove the two transport screws (**A**) that fasten the stove to the wooden pallet.
5. Leave the stove standing on the transport pallet.
6. Take out the glove, bag of screws, external air connector and adapter lying in the burn chamber.
7. Check that the control lever (**B**) moves easily.

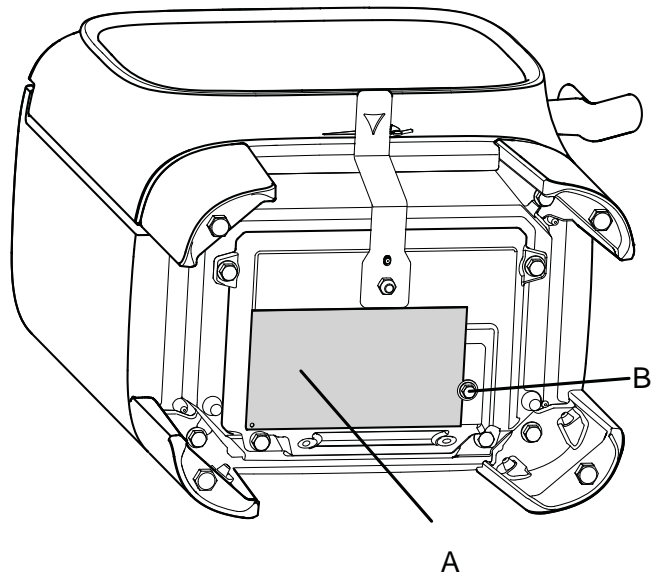
Fig. 5



8. Install the height adjustment screws with plastic caps placed in the bag of screws.
9. Lift the stove from the pallet.
10. Set up the stove and adjust using a cap wrench to a horizontal position with the 4 height adjustment screws. Mark on the wall if there has to be a rear outlet for flue pipe and external air supply. **NB: Take into account the height of the floor plate.**

Approval label

Fig. 6



1. Take the approval label (**A**) out of the burn chamber and fasten it with the screw (**B**), as displayed. Tighten the screw with a cap wrench. **NB: Do not cut off the wire used for fastening the label.**

4.2 Preparations for Jøtul F 105 with short legs

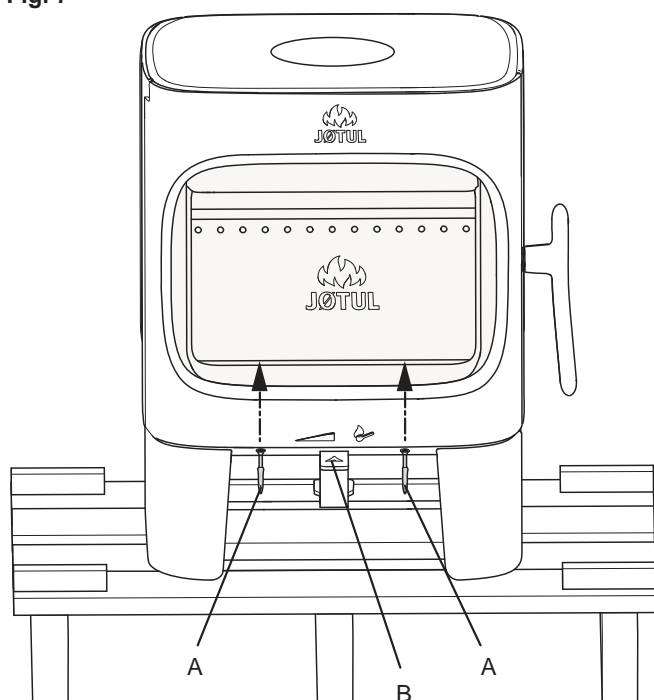
Jøtul F 105 SL (with short legs) can only be installed on floors whose surface and structure are both made of non-flammable materials. This applies also if the product rests on a floor plate.

NB: The non-flammable area must extend to at least 500 mm in front of the stove.

NB: We advise against installing underfloor heating (whether water or electric) in this area.

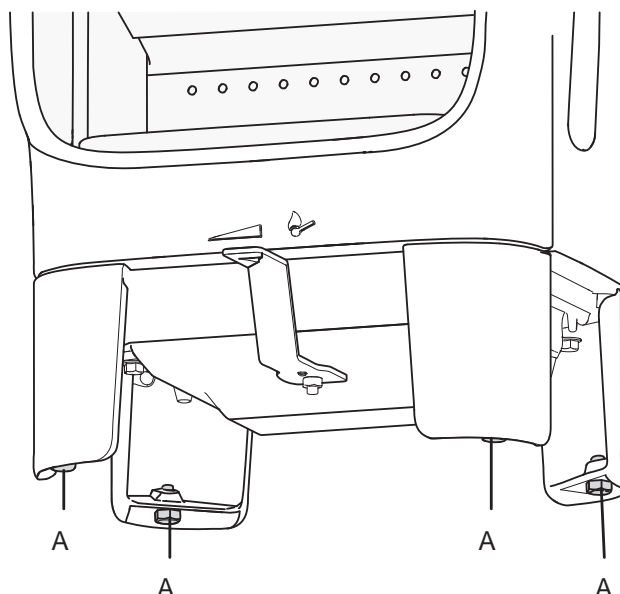
For further information please see Approved Document J2010 Section 2.22.

Fig. 7



1. Remove the two transport screws (**A**) that fasten the stove to the wooden pallet.
2. Leave the stove standing on the transport pallet.
3. Take out the gloves, baffle, bag of screws, external air connector and adapter lying in the burn chamber.
4. Check that the control lever (**B**) moves easily.

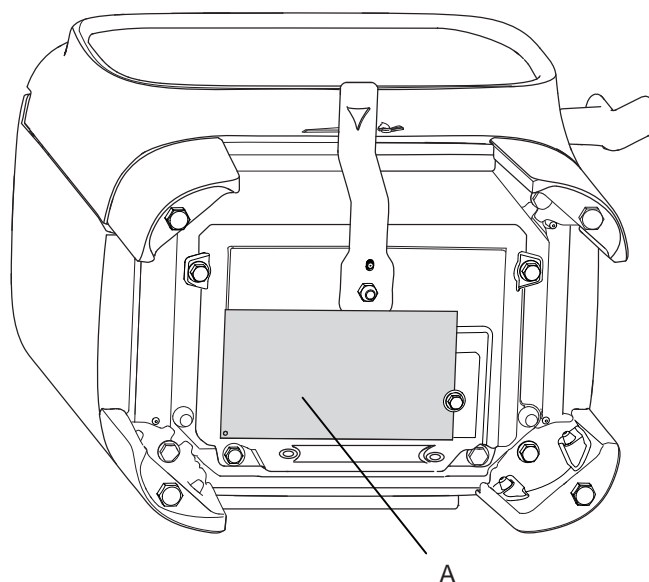
Fig. 8



5. Install the height adjustment screws with plastic caps placed in the bag of screws.
6. Lift the stove from the pallet.
7. Set up the stove and adjust using a cap wrench to a horizontal position with the 4 height adjustment screws. Mark on the wall if there has to be a rear outlet for flue pipe and external air supply. **NB: Take into account the height of the floor plate.**

Approval label

Fig. 9

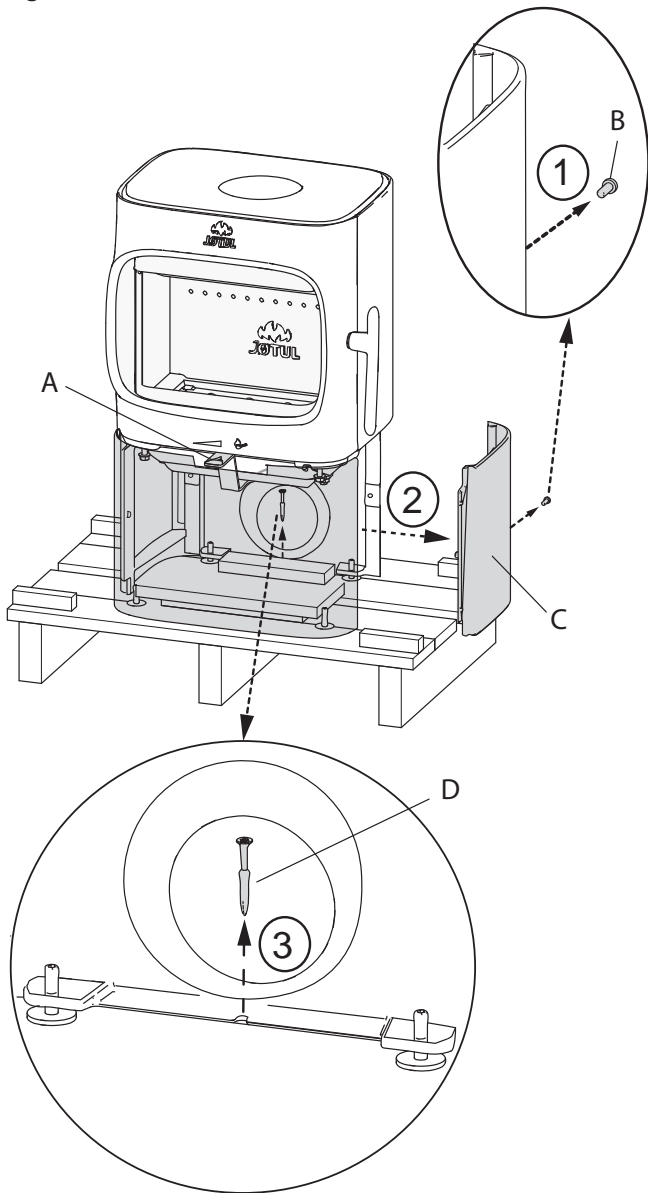


8. Take the approval label (**A**) out of the burn chamber and fasten it with the screw (**B**), as displayed. Tighten the screw with a cap wrench. **NB: Do not cut off the wire used for fastening the label.**

ENGLISH

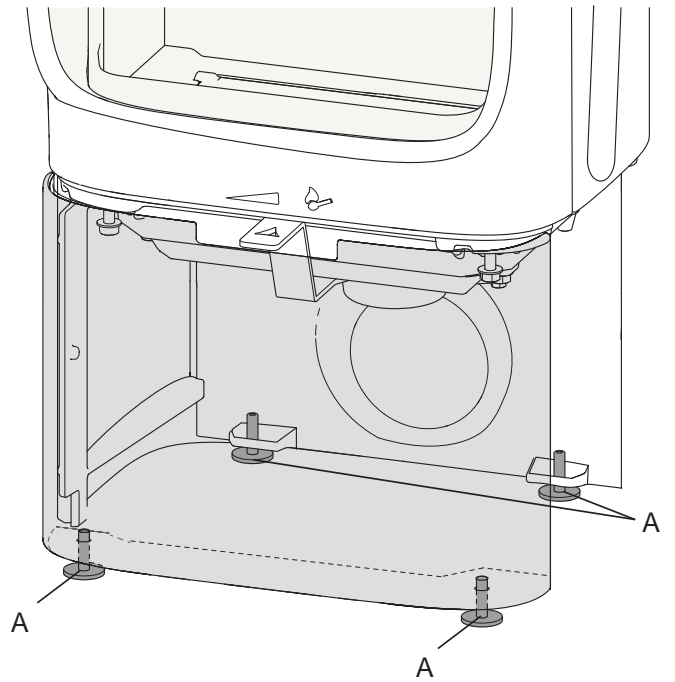
4.3 Preparations for Jøtul F 105 with base

Fig. 10



9. Take out the gloves, baffle, bag of screws, external air connector and adapter lying in the burn chamber.
10. 1. Unscrew the screw placed in the middle of the rear side of the side plate.
2. Remove the side plate (C).
3. Remove the transport screw (D) that fastens the stove to the wooden pallet.
11. Check that the control lever (A) moves easily.
12. Lift the stove from the pallet and set it up (see fig. 1).

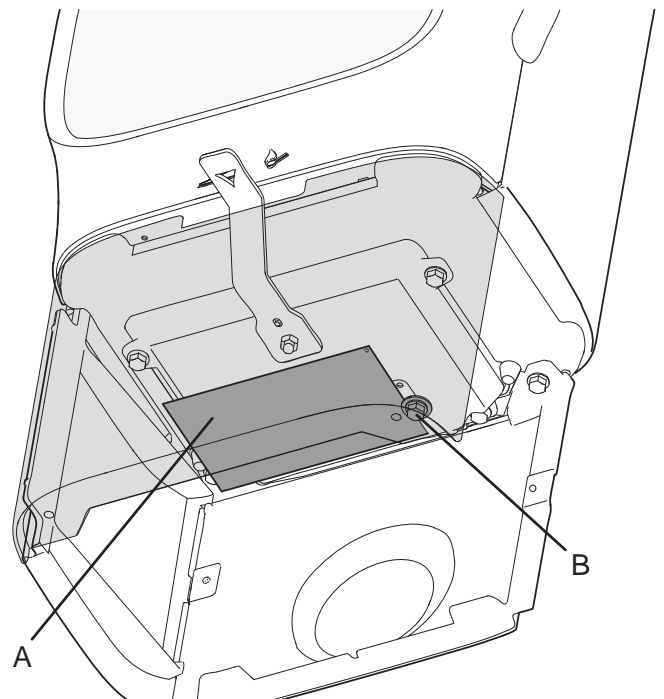
Fig. 11



13. Install the height adjustment screws with plastic caps placed in the bag of screws.
14. Lift the stove from the pallet.
15. Set up the stove and adjust to a horizontal position with the 4 height adjustment screws. Use the hex key placed in the bag of screws. Mark on the wall if there has to be a rear outlet for flue pipe and external air supply. **NB: Take into account the height of the floor plate.**

Approval label

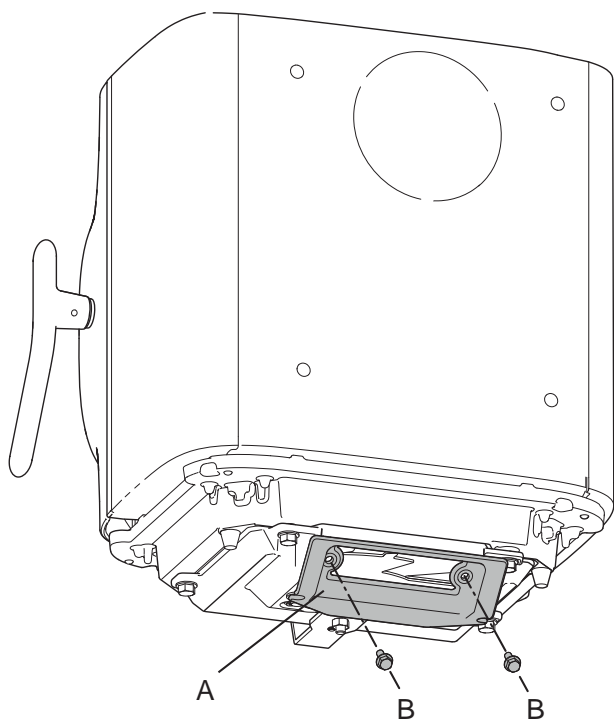
Fig. 12



16. Take the approval label (A) out of the burn chamber and fasten it with the screw (B), as displayed. Tighten the screw with a cap wrench. **NB: Do not cut off the wire used for fastening the label.**

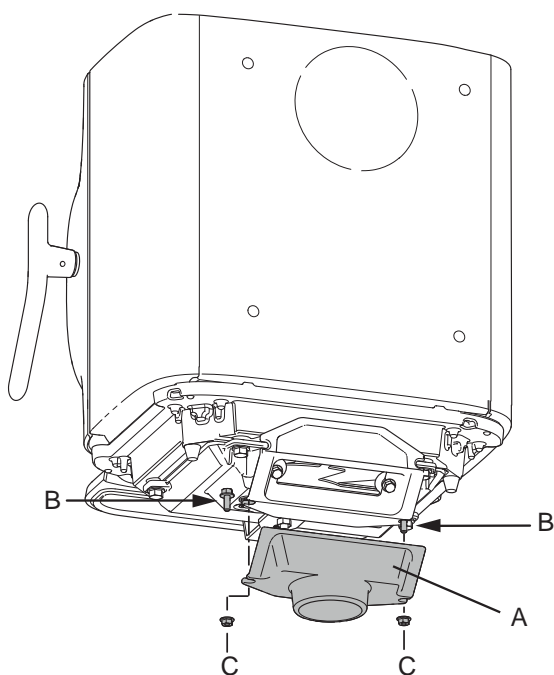
External air supply through the floor

Fig. 13



1. Fasten the adapter (A) to the bottom side of the burn chamber using the accompanying screws (B) (pre-mounted on Jøtul F 105 B).

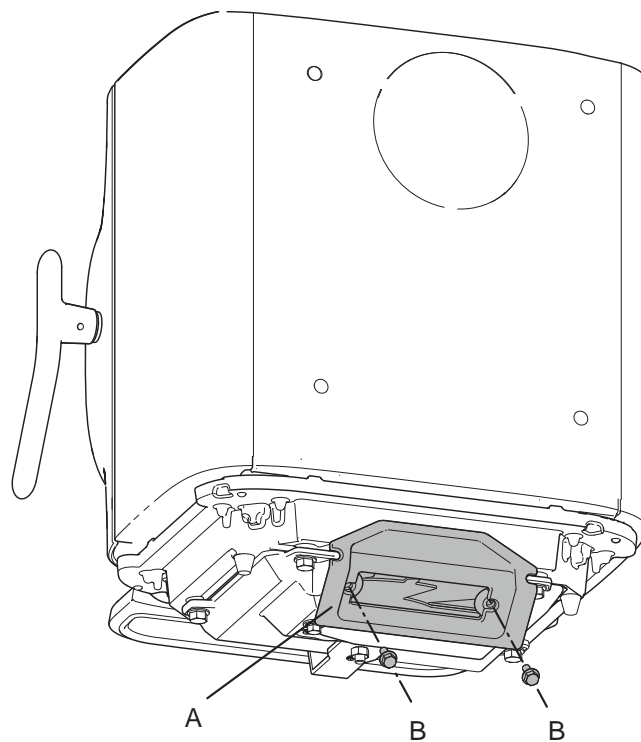
Fig. 14



2. Fasten the external air connector (A) to the adapter by inserting the two screws (B) into the track and tightening with the nuts (C).

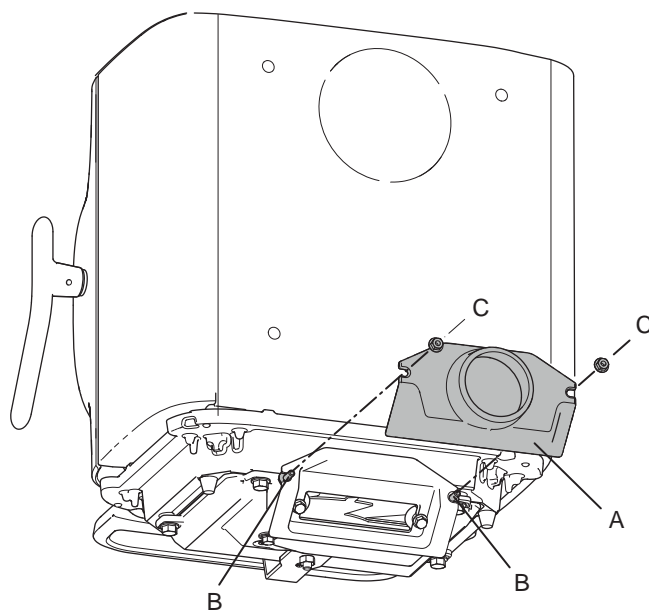
External air supply through a rear outlet

Fig. 15



1. Fasten the adapter (A) to the burn chamber using the two accompanying screws (B) (pre-mounted on Jøtul F 105 B).

Fig. 16



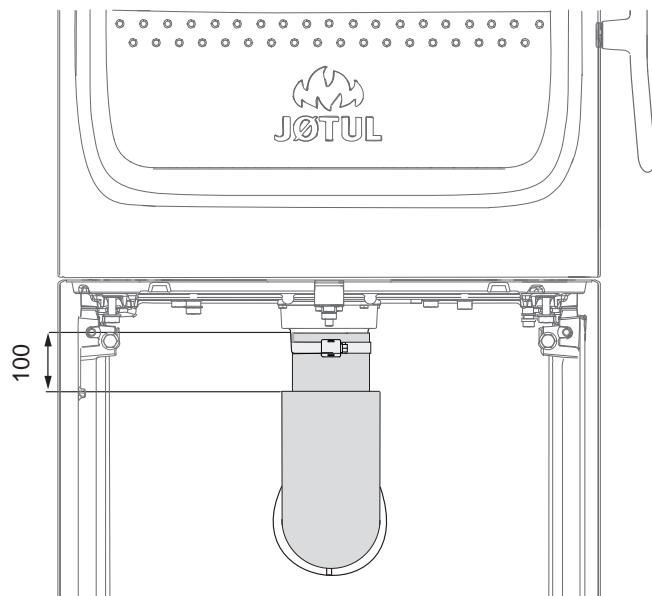
2. Fasten the external air connector (A) to the adapter by inserting the two screws (B) into the track and tightening with the nuts (C).

ENGLISH

Outside air connection through the base

Through a rear outlet

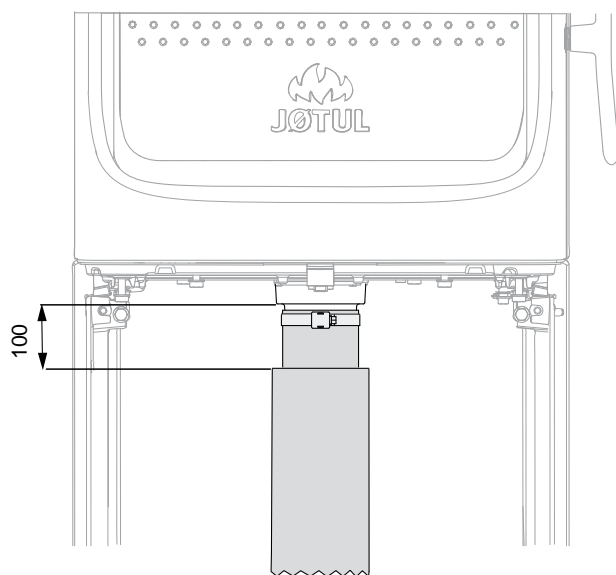
Fig. 17



3. For fastening $\varnothing 80$ fresh air intake tube (optional equipment – item no. 51047509), see the manual (item no. 10047508) accompanying the external air set. See the installation instructions that follow with the external air set. Attach the hose to the external air connector with a hose clip to avoid using joints. The external air hose insulation ends approx. **100 mm** below the burn chamber.

Through the floor

Fig. 18



4. For fastening $\varnothing 80$ fresh air intake tube (optional equipment – item no. 51047509), see the manual (item no. 10047508) accompanying the external air set. See the installation instructions that follow with the external air set. Attach the hose to the external air connector with a hose clip to avoid using joints. The external air hose insulation ends approx. **100 mm** below the burn chamber.

4.4 Chimney and flue pipe

- The fireplace must only be connected to a chimney and flue pipe approved for solid fuel fireplaces with flue gas temperatures as specified in «**2.0 Technical Data**».
- The cross-section of the chimney must be designed to fit the fireplace. Use «**2.0 Technical Data**» to calculate the correct chimney cross-section.
- The chimney must be connected in accordance with the installation instructions of the chimney supplier.
- Before a hole is made in the chimney, the product should be test-mounted in order to correctly mark the position of the fireplace and the hole in the chimney. See **fig. 1** for minimum dimensions.
- Make sure that the flue pipe rises all the way up to the chimney.
- With a rear outlet, use a flue pipe bend with a sweep hatch to allow sweeping.
- Please note that it is extremely important for connections to have a degree of flexibility. This is to prevent any movement in the installation leading to the formation of cracks.
- For recommended chimney draught, see «**2.0 Technical Data**». For flue pipe dimension see “**2.0 Technical Data**”.
NB: The chimney’s diameter must be at least just as big as the flue pipe.

NB! The minimum recommended chimney length is 3.5 m from the flue pipe insert. If the draught is too strong, a flue pipe damper can be installed and used to reduce the draught.

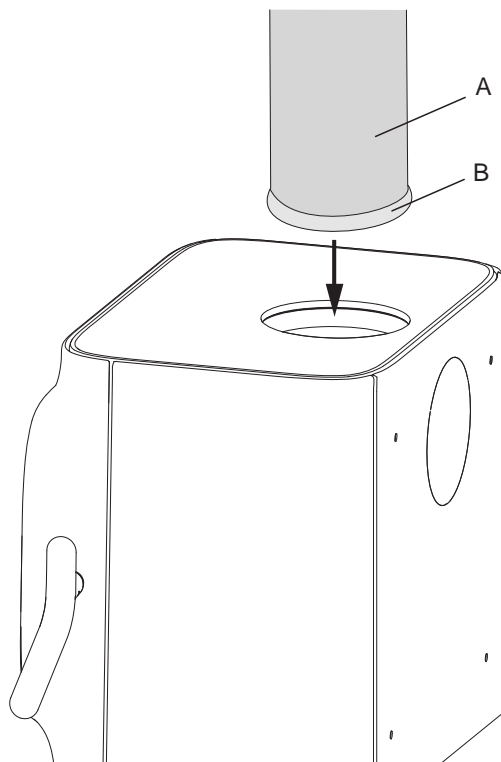
Operation under different weather conditions

The effect of the wind on the chimney may have a significant impact on how the stove reacts under different gust loads. It may be necessary to adjust the air supply to achieve good combustion.

4.5 Fitting a flue pipe with a top outlet

The product is supplied from the factory with the smoke outlet fitted for the top outlet.

Fig. 19

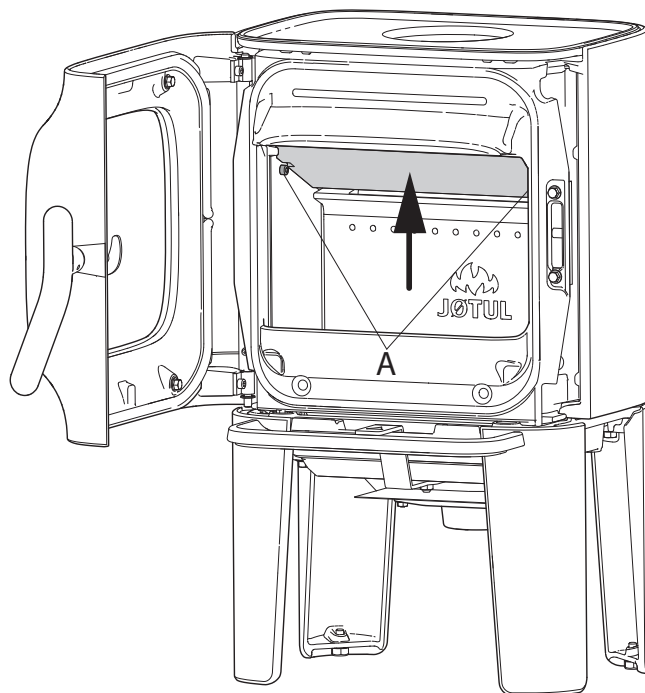


1. Thread the flue pipe (A) through the top plate and place it in the top smoke outlet.
2. Seal well with a gasket (B).

4.6 Fitting a flue pipe with a rear outlet

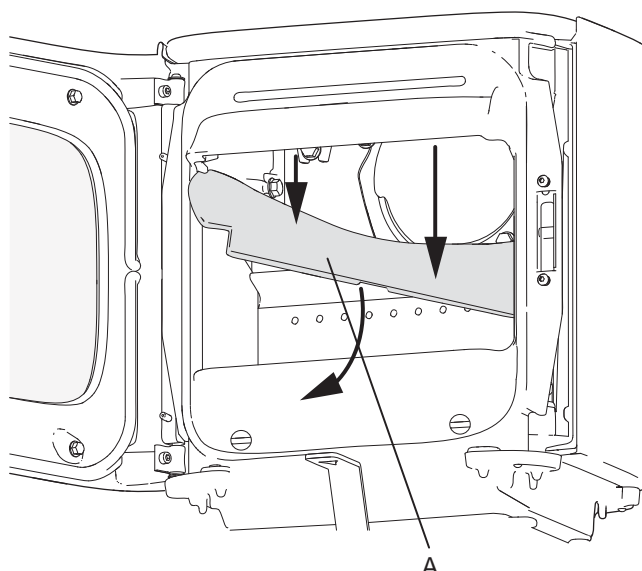
The product is supplied from the factory with the smoke outlet fitted for the top outlet. If you want a rear outlet, proceed as follows:

Fig. 20



1. Remove the baffle by lifting at the rear edge, and remove the two screws. Then twist it out of the burn chamber.

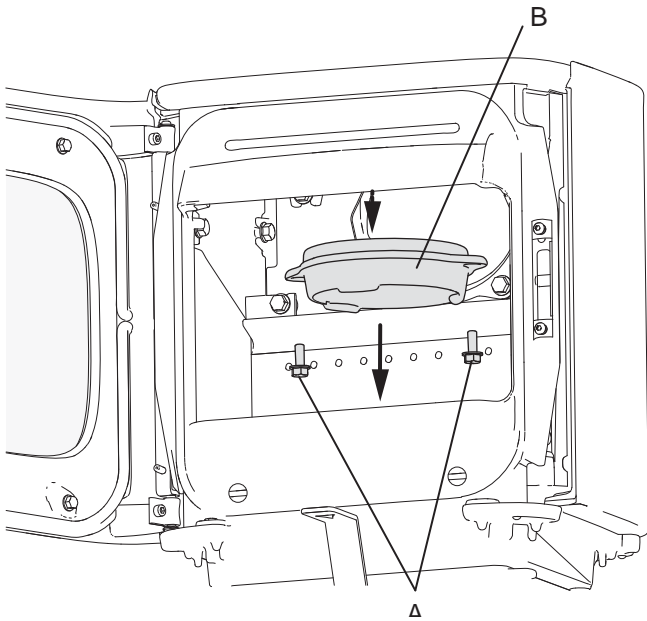
Fig. 21



1. Place the product in a correct position. See fig. 1
2. Remove the exhaust deflector (A).

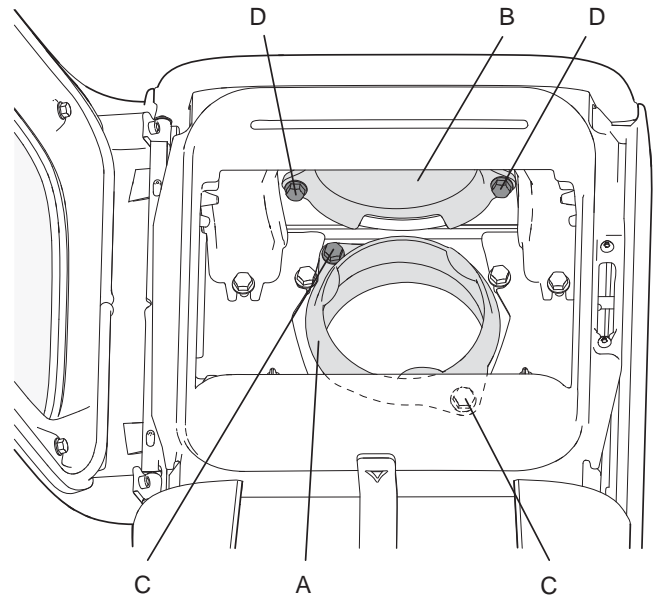
ENGLISH

Fig. 22



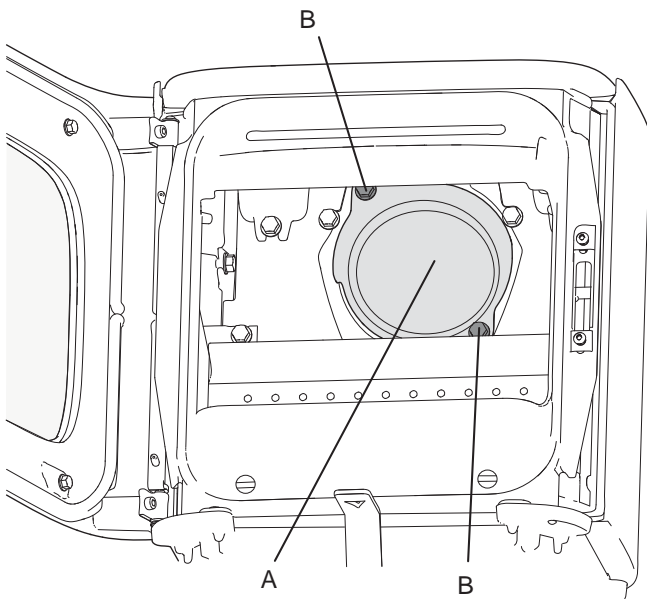
3. Unscrew the screws **(A)** and remove the smoke outlet **(B)** from the top outlet.

Fig. 24



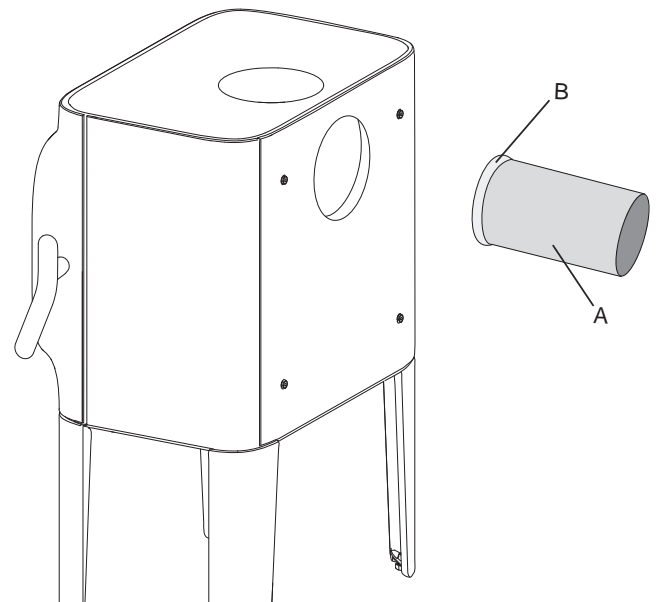
2. Fasten the smoke outlet **(A)** to the rear outlet using the two screws **(C)** from the inside of the burn chamber.
3. Fasten the cover **(B)** to the top outlet with the two screws **(D)** from the inside of the burn chamber.
4. Reinstall the exhaust deflector.
5. Place the baffle.

Fig. 23



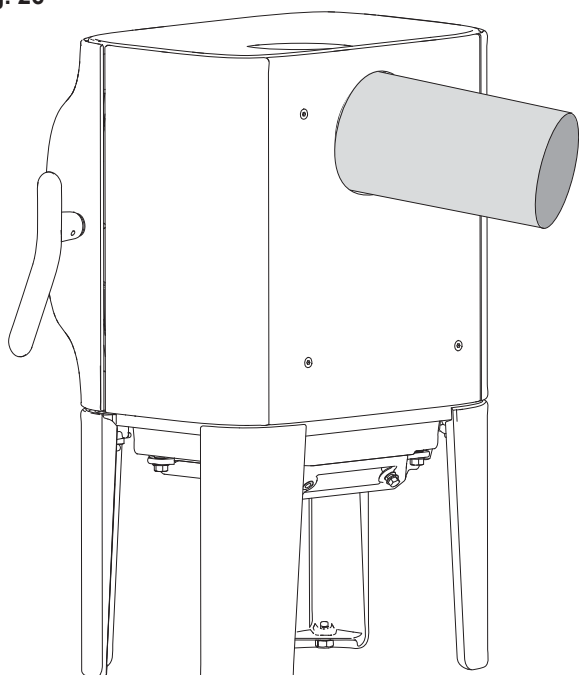
1. Unscrew the screws **(B)** and remove the cover **(A)** of the rear outlet from the inside of the burn chamber.

Fig. 25



6. Place the gasket **(B)** on the edge of the flue pipe **(A)**.

Fig. 26



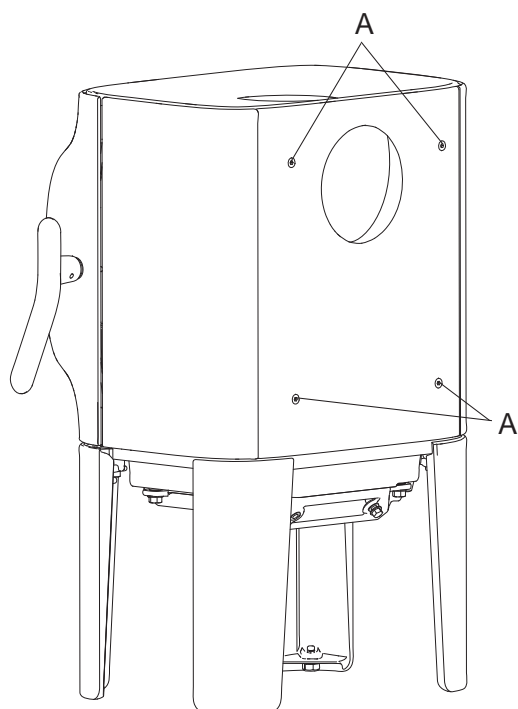
7. Insert the flue pipe into the rear outlet.

NB: It is important for the joints/flue pipes to be sealed completely. Air leaks may prevent them from operating properly.

Product without convection plate

NB: If you will not use a convection plate, the product will have different setup conditions (see fig. 1).

Fig. 27

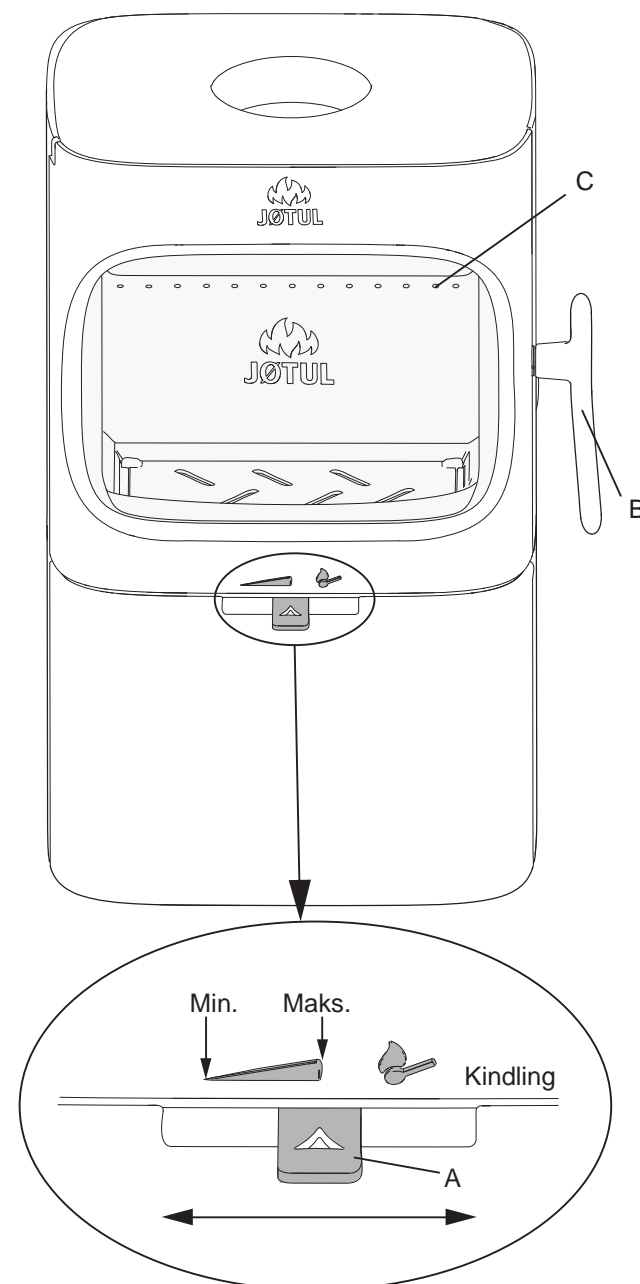


- If the convection plate is not going to be used, screw the screws (A) back again after removing the convection plate. Use the Allen key from the bag of screws.

4.7 Performance check

Always check the control handles once the product has been assembled. These should move easily and work in a satisfactory manner.

Fig. 28



The Jøtul F 105 R is equipped with the following operating options:

Air vent (A)
 Pushed to the left: Minimum
 Pushed to the middle: Maximum
 Pushed all the way to the right: For kindling

Door handle (B)
 Open by pulling the handle out.

Stacking height (C) for wood (the holes may not be covered).

ENGLISH

5.0 Daily use

Odours when using the fireplace for the first time

When the fireplace is used for the first time, it may emit an irritating gas which may smell slightly. This happens because the paint dries. The gas is not toxic but the room should be thoroughly ventilated. Let the fire burn with a high draught until all traces of the gas have disappeared and no smoke or odours can be detected.

Heating advice

NB: Logs that have been stored outdoors or in a cold room should be brought indoors 24 hours before use to bring them up to room temperature.

There are various ways of heating the stove but it is always important to be careful about what you put in the stove. See the section on “**Wood quality**”.

Important! An inadequate air supply can lead to poor combustion, high emissions and a lower level of efficiency.

Wood quality

By quality wood we mean most well-known types of wood such as birch, spruce and pine.

The logs should be dried so that the moisture content is no more than 20%.

To achieve this, the logs should be cut during the late winter. They should be split and stacked in a way that ensures good ventilation. The wood stacks should be covered to protect the logs from rain. The logs should be brought indoors during early autumn and stacked/stored for use in the coming winter.

Be especially careful never to use the following materials as fuel in your fireplace:

- Household rubbish, plastic bags, etc.
- Painted or impregnated timber (which is extremely toxic).
- Laminated wooden planks.
- Driftwood

These may harm the product and are also pollutants.

NB: Never use petrol, paraffin, methylated spirit or similar liquids to light the fire. You may cause serious injury to yourself and damage to the product.

Kindling (finely split wood):

Length: Max. 33 cm
Diameter: 2-4 cm
Quantity required each time: 6 - 8 pieces

Wood (split wood):

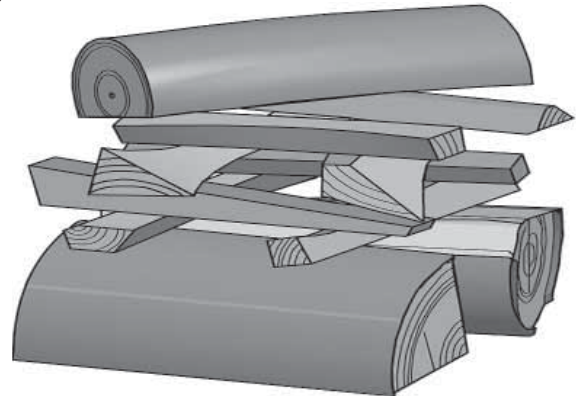
Recommended length: 20 - 33 cm
Diameter: Approx. 8 cm
Interval for adding wood: Approx. every 45 - 50 minutes
Fire size: 1,1 kg (nominal output)
Quantity required each time: 2
Max. each time: 2,0 kg

Nominal heat output is achieved when the air vent is open approx. 30% (**fig. 28**). Max. heat output is achieved when the air vent is open approx. 50%.

Initial lighting

- Open the air vent and ignition vent by pulling the handles (**fig. 28**) all the way out. (Use a glove or something similar to protect your hand in case the handles are hot.).

Fig. 28



- Place two logs at the bottom of the burn chamber and pile the kindling in layers.
- Finally, place a medium-sized log on the top of the pile.
- Place 2 or 3 briquettes or kindling sticks under the top layer of kindling and light the fire. **NB: The maximum height of the pile of the wood should be just below the horizontal holes. The holes must not be covered.**
- Close the door.
- You can then regulate the rate of combustion to give the heat you want by adjusting the air vent (**fig. 28**).
- Check that the afterburning (secondary combustion) starts. This is best indicated by yellow, flickering flames in front of the holes under the baffle.
- If the air flow is normal you will be able to shut the door and the fire will take care of itself.

Adding firewood

Stoke the stove frequently but only add small amounts of fuel at a time. If the stove is filled too full, the heat created may cause extreme stress in the chimney. Add fuel to the fire in moderation. Avoid smouldering fires as this produces the most pollution. The fire is best when it is burning well and the smoke from the chimney is almost invisible.

5.1 Danger of overheating

The fireplace must never be used in a manner that causes overheating

Overheating occurs when there is too much fuel and/or too much air so that too much heat develops. A sure sign of overheating is when parts of the fireplace glow red. If this happens, reduce the air vent opening immediately.

Seek professional advice if you suspect that the chimney is not drawing properly (too much/too little draught). For further information, see «4.0 Installation» (Chimney and flue pipe).

5.2 Ash removal

- The Jøtul F 105 R has an ash pan that makes it easy to remove the ash.
- Only remove ash when the fireplace is cold.
- Scrape the ash through the grate in the inner bottom and down into the ash pan. Use a glove or something similar to protect your hand. Take hold of the handle of the ash pan and lift out the ash. Make sure that the ash pan never gets so full that it prevents the ash from falling through the grate and down into the pan.
- Make sure that the ash pan is pushed all the way in before closing the door.

6.0 Maintenance

6.1 Cleaning the glass

The product is equipped with an air wash for the glass. Air is sucked in through the air vent on the top of the product and down along the inside of the glass.

However, some soot will always stick to the glass, but the quantity will depend on the local draught conditions and adjustment of the air vent. Most of the soot layer will normally be burned off when the air vent is opened all the way and a fire is burning briskly in the fireplace.

Good advice! For normal cleaning, moisten a paper towel with warm water and add some ash from the burn chamber. Rub it over the glass and then clean the glass with clean water. Dry well. If it is necessary to clean the glass more thoroughly we recommend using a glass cleaner (*follow the instructions on the bottle*).

6.2 Cleaning and soot removal

Soot deposits may build up on the internal surfaces of the fireplace during use. Soot is a good insulator and will therefore reduce the fireplace's heat output. If soot deposits accumulate when using the product, they can easily be removed by using a soot remover.

In order to prevent a water and tar layer from forming in the fireplace, you should regularly allow the fire to burn hot in order to remove the layer. An annual internal cleaning is necessary to get the best heating effect from your product. It is a good idea to do this when cleaning the chimney and flue pipes.

6.3 Sweeping flue pipes to the chimney

Flue pipes must be swept through the flue pipe sweeping hatch or through the door opening. The baffle and exhaust deflector must be removed first.

6.4 Inspection of the fireplace

Jøtul recommends that you carefully inspect your fireplace yourself after it has been swept/cleaned. Check all visible surfaces for cracks. Also check that all joints are sealed and that the gaskets are in the correct position. Any gaskets showing signs of wear or deformation must be replaced.

Thoroughly clean the gasket grooves, apply ceramic glue (available from your local Jøtul dealer) and press the gasket well into place. The joint will dry quickly.

6.5 Exterior maintenance

Painted products may change colour after several years' usage. The surface should be cleaned and brushed free of any loose particles before new paint is applied.

Enamelled products must only be cleaned with a clean, dry cloth. Do not use water and soap. Any stains can be removed with a cleaning fluid (*oven cleaner etc.*).

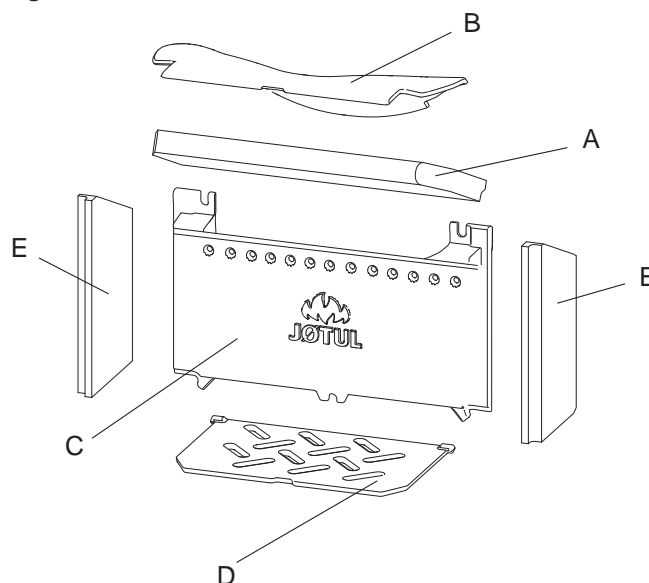
7.0 Servicing

Warning! Any unauthorised changes to the product are illegal! Only original spare parts may be used!

7.1 Service/replacing parts in the burn chamber

NB: Use tools with great care! The vermiculite plates may be damaged if treated roughly.

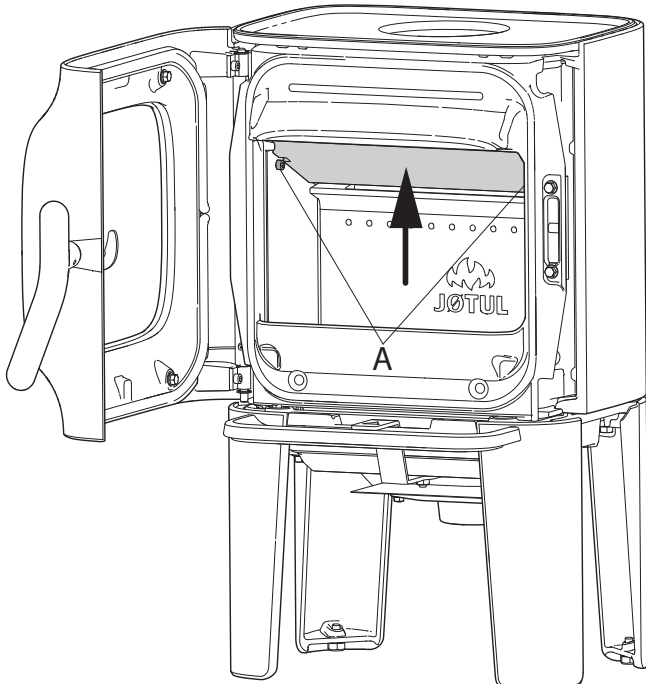
Fig. 29



1. **Baffle:** Remove the baffle by lifting at the rear edge, and remove the two screws. Then twist it out of the burn chamber.
2. **Exhaust deflector:** Lift the front edge of the exhaust deflector (B) up and down and twist it out of the burn chamber.
3. Lift up the **ash grate (D)** in the middle slot in front and then lift the ash pan out of the burn chamber
4. Remove the three screws holding the burn plate. Lift up one of the sides of the burn plate and twist it out of the burn chamber.

ENGLISH

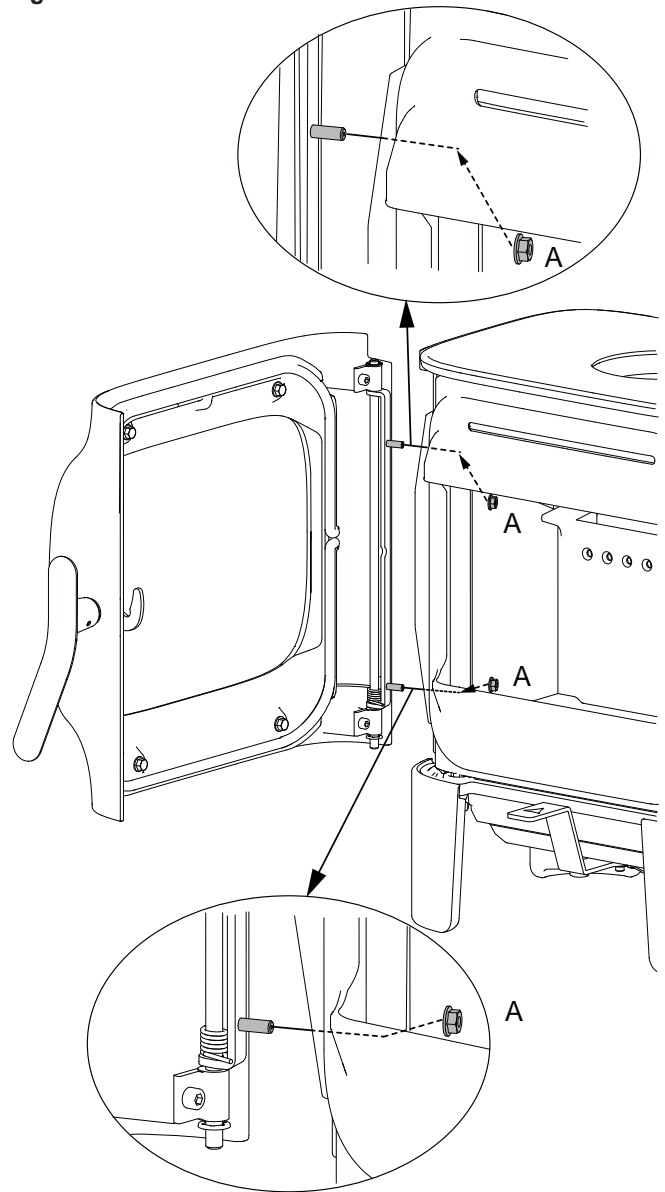
Fig. 30



1. Remove the baffle by lifting at the rear edge, and remove the two screws. Then twist it out of the burn chamber.

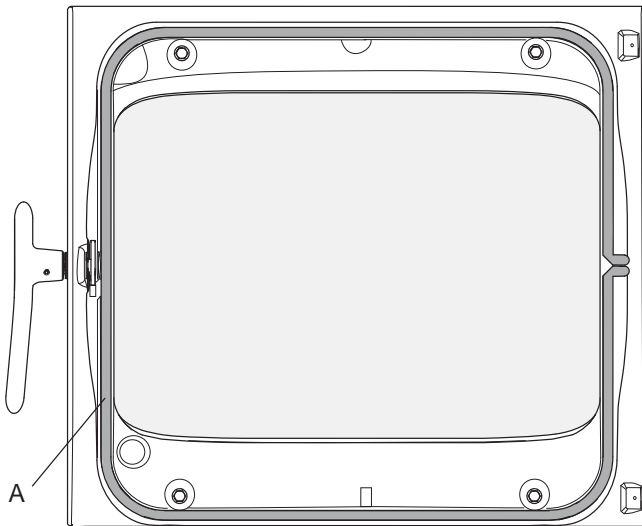
7.2 Replacing glass and gaskets in the door

Fig. 31



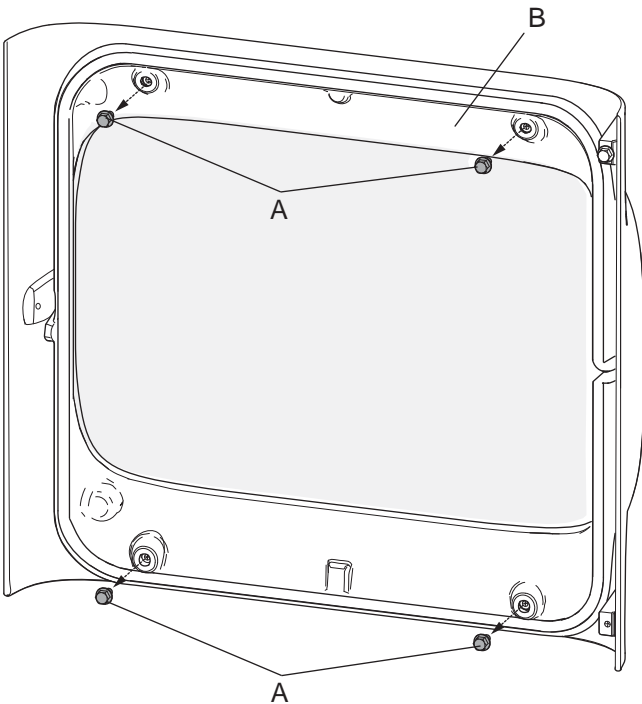
1. Unscrew the nuts (**A**) and unhook the door. Lay it carefully down onto the cardboard box.

Fig. 32



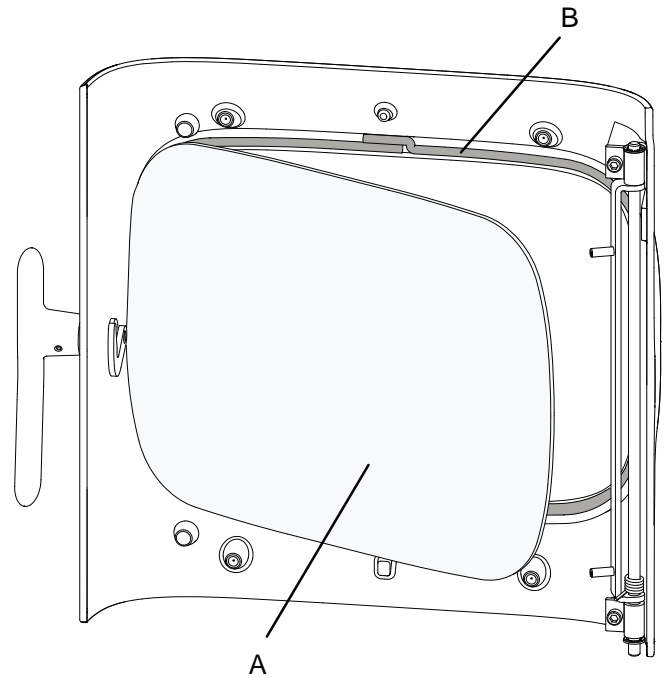
1. Remove the gasket (A) placed on the inside of the door, clean the gasket groove and glue on a new gasket.

Fig. 33



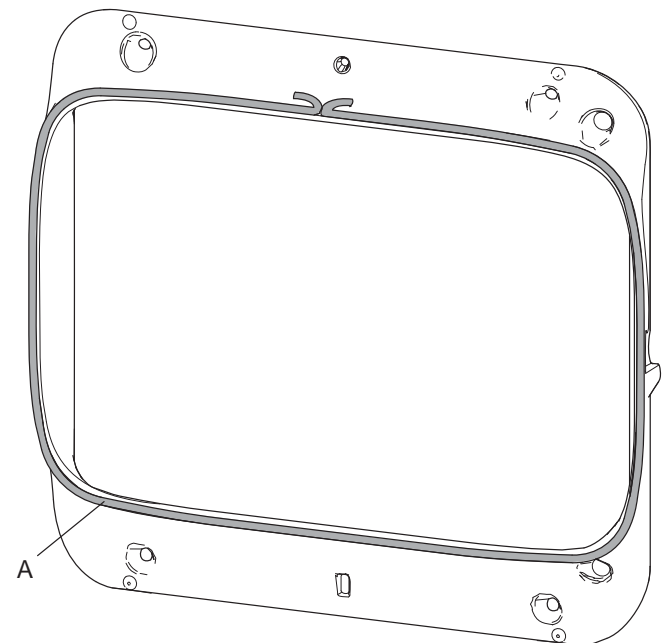
2. Unscrew the glass holder (B) that is attached with 4 screws (A). **NB: The glass in the door is loose. Be careful not to knock the glass when the glass holder is loosened.**

Fig. 34



3. Remove the glass (A) carefully. Remove the gaskets (B), and clean the gasket grooves.
4. Glue on new gaskets.

Fig. 35



5. Remove the old gasket (A) and clean the grooves. Glue on a new gasket.
6. Install back all parts once all damaged gaskets have been replaced.

ENGLISH

8.0 Optional extras

8.1 Kit for outside air connection

Outside air connection, Ø80 mm - Cat. no. 51047509

8.2 Soapstone top

Cat. no. 51049066

8.3 Ash lip for product with legs

BP - Cat. no. 51049065

WHE - Cat. no. 51049516

8.5 Ash pan handle

BP - Art. nr. 51049070

9.0 Recycling

9.1 Recycling packaging

Your fireplace is delivered with the following packaging:

- A wooden pallet that can be cut up and burned in the fireplace.
- Cardboard packaging that should be taken to a local recycling facility.
- Plastic bags that should be taken to a local recycling facility.

9.2 Recycling the fireplace

The fireplace is made of:

- Metal that should be taken to a local recycling facility.
- Glass that should be disposed of as hazardous waste. The glass in the fireplace must not be placed in a regular source segregation container.
- Vermiculite burn plates that can be disposed of in regular waste containers.

10.0 Guarantee terms

Jøtul is a renowned manufacturer of high quality stoves and fireplaces with long service life, which has been on the market since 1853. We are so sure of our quality that we offer our customers an extended guarantee at no extra charge. Congratulations on your new fireplace from Jøtul!

1. Our guarantee covers:

Jøtul AS guarantees that the external cast-iron parts are free from defects in materials or manufacturing at the time of purchase. You may extend the guarantee on the external cast-iron parts to 25 years from the date of delivery by registering the product on jotul.com, and print out the extended guarantee card within three months of purchase. We recommend that the guarantee card be kept together with the receipt. Jøtul AS also guarantees that steel plate parts are free from defects in materials or manufacturing at the time of purchase for a period of 5 years from the date of delivery.

The guarantee applies on the condition that the stove has been installed by a qualified installer in accordance with applicable laws and regulations and Jøtul's installation and operating instructions. Repaired products and replacement items are guaranteed within the original guarantee period.

2. The guarantee does not cover:

- 2.1. Damage to consumables such as burn plates, fire grates, flue baffles, gaskets and similar as these deteriorate over time due to normal wear and tear.
- 2.2. Damage caused as a result of improper maintenance, overheating, use of unsuitable fuel (e.g. of unsuitable fuel are, but not limited to driftwood, impregnated wood, plank offcuts, chipboard) or too moist / wet wood.
- 2.3. Installation of optional extras for the purpose of rectifying local draught conditions, air supply or other circumstances beyond Jøtul's control.
- 2.4. Cases involving alterations / modifications to the fireplace without Jøtul's consent or the use of non-original parts.
- 2.5. Damage caused during storage at a distributor, transport from a distributor or during installation.
- 2.6. Products sold by unauthorized sellers in areas where Jøtul operates a selective distribution system.
- 2.7. Associated cost (e.g. but not limited to, transport, manpower, travel) or indirect damages

Pellets stoves, glass, stone, concrete, enamel and paint finish (e.g. but not limited to chipping, cracking, bubbling or discolouration and crazing) are applicable to the national legislation governing the sale of consumer goods. This guarantee is valid for purchases made within the territory of the European Economic Area. All guarantee inquiries must be addressed to your local authorized Jøtul dealer within a reasonable amount of time, which shall not be later than 14 days from the date on which the fault or defect first became apparent. See list of importers and dealers on our web site www.jotul.com.

If Jøtul is unable to meet the obligations outlined in the above guarantee terms, Jøtul will offer a replacement product with a similar heating capacity free of charge.

Jøtul reserve the right to decline of any replacement of parts or service in the event that the guarantee is not registered online. This guarantee does not affect any rights under applicable national legislation governing the sale of consumer goods. The national complaint right applies from the purchase date and only in exchange for a receipt / serial number

Cat.no. 10063490 -P01
Jøtul AS, Oct. 2022

Jøtul pursues a policy of constant product development. Products supplied may therefore differ in specification, colour and type of accessories from those illustrated and described in the brochure.

Jøtul vise sans cesse à améliorer ses produits. C'est pourquoi, il se réserve le droit de modifier les spécifications, couleurs et équipements sans avis préalable.

Quality

Our policy gives our customers quality and safety piece of mind as a result of Jøtul's vast experience dating back to when the company first started in 1853.

Qualité

Notre politique nous permet d'offrir à nos clients une qualité et une sécurité reposant sur la vaste expérience accumulée par Jøtul depuis sa création en 1853.



Jøtul AS,
P.o. box 1411
N-1602 Fredrikstad,
Norway
www.jotul.com