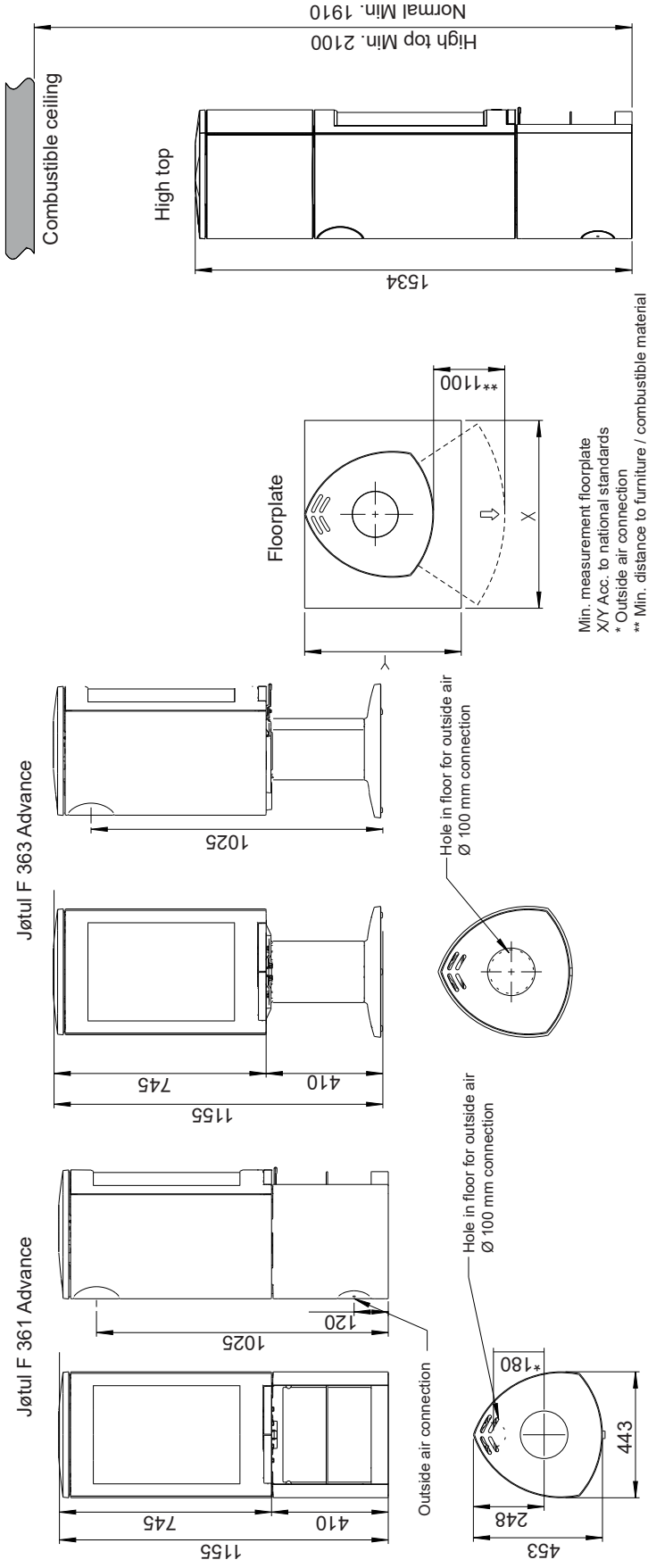


Fig. 1A



Min. measurement floorplate  
 X/Y Acc. to national standards  
 \* Outside air connection  
 \*\* Min. distance to furniture / combustible material

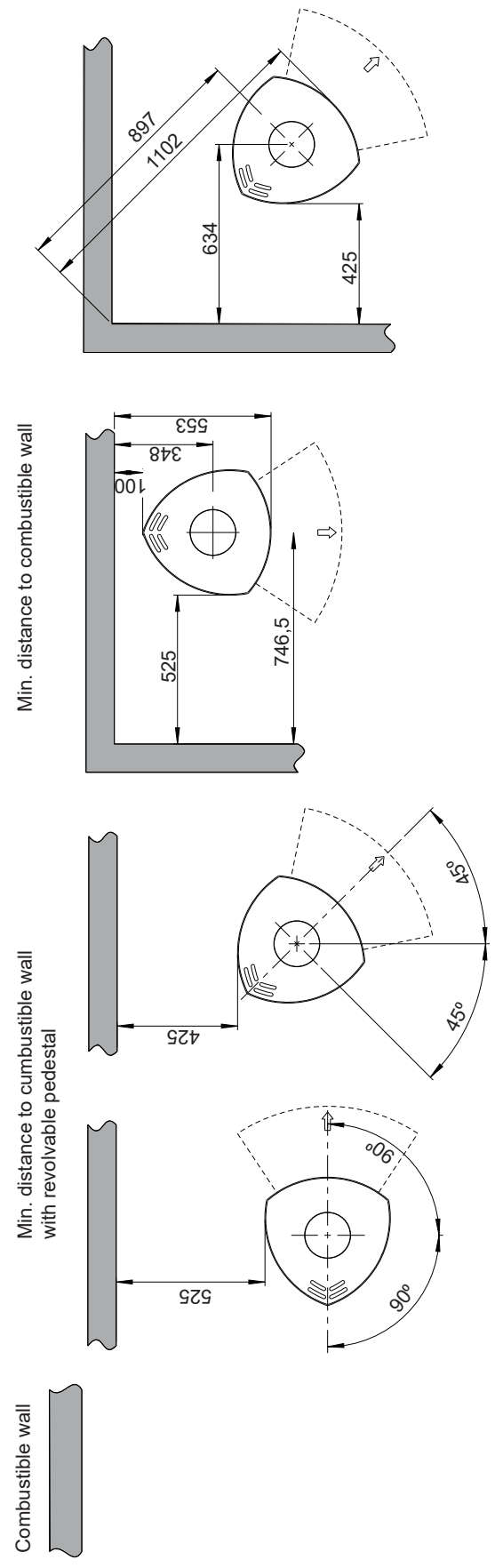


Fig. 1B

## Jøtul F 360 Advance Min. distance to firewall

